

LISTA REZERVNIH DELOV / LISTE DER ERSATZTEILE / SPARE PARTS LIST – Vitel/Winde/Winch KRPAN 10EH

Ser.: VH03300015 →

Ser.: VH03400015 →

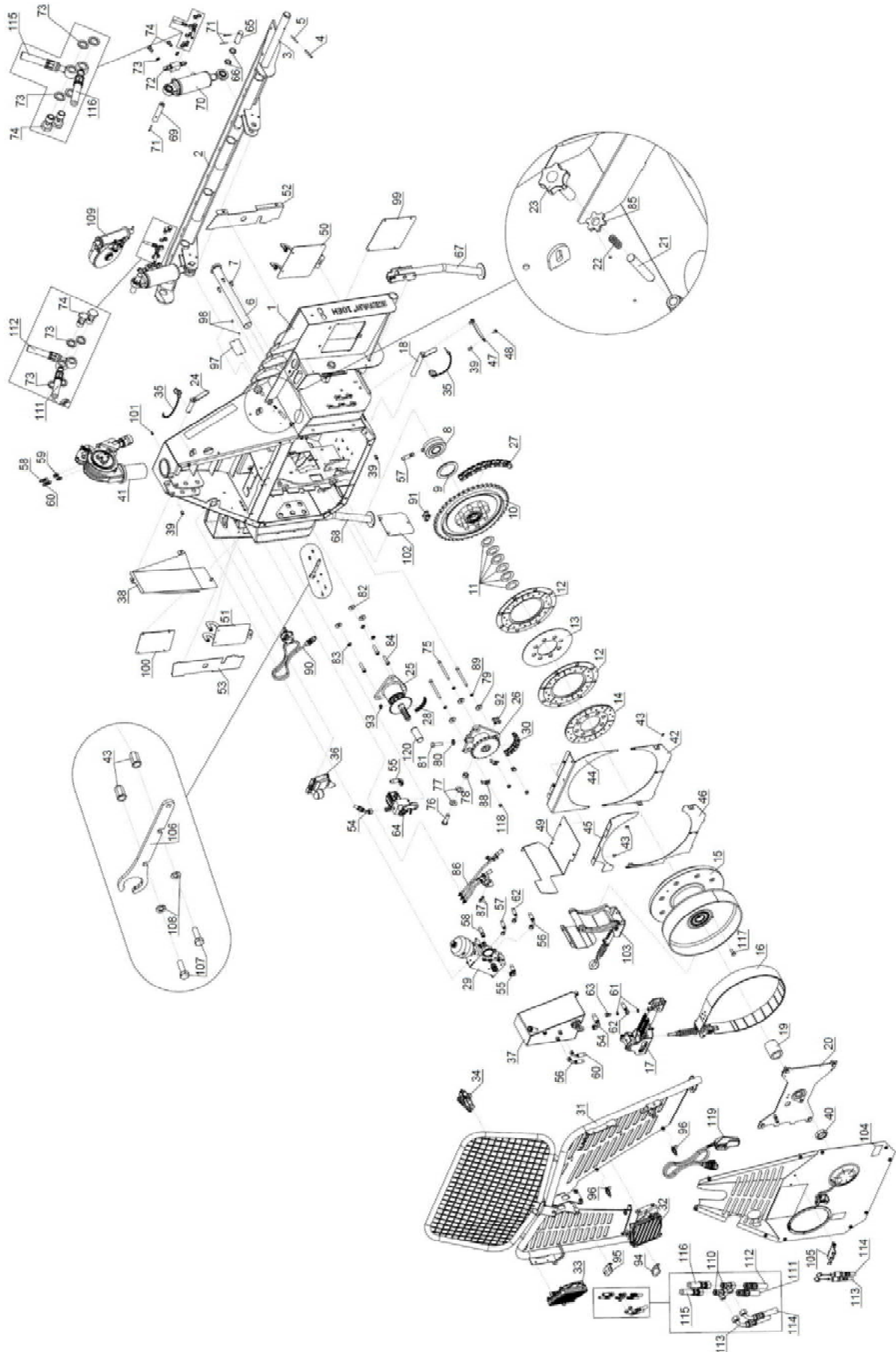
Info: <http://www.vitli-krpan.com/>

Vsebina / Inhalt / Contents

| | | |
|------|--------------------------------------------------------------------------------|----|
| 1. | Vitel / Winde / Winch 10EH | 3 |
| 1. | Cilinder sklopke / Kupplungszyylinder / Clutch Cylinder | 6 |
| 2. | Verižnik / Kettenrad / Chain Wheel..... | 7 |
| 3. | Boben / Trommel / Drum | 8 |
| 4. | Zavorni pas / Bremsband / Brake Belt..... | 9 |
| 5. | Mehanizem zavore / Bremsmechanismus / Brake Mechanism..... | 10 |
| 6. | Pokrov jedra / Kernabdeckung / Core Cover | 11 |
| 7. | Pogon zgornji / Antrieb oben / Drive upper..... | 12 |
| 8. | Pogon spodnji / Antrieb unten / Drive lower | 13 |
| 9. | Hidravlični blok / Hidraulische Block / Hydraulic Block..... | 14 |
| 10. | Zaščitna mreža / Schutzgitter / Safety Guard | 15 |
| 11. | Nosilec motorne žage L / Motorsägehalterung L / Chainsaw Holder L | 16 |
| 12. | Nosilec motorne žage D / Motorsägehalterung R / Chainsaw Holder R | 17 |
| 13. | Nosilec kanistra / Kanisterhalter / Canister holder | 18 |
| 14. | Elektronika z ohišjem / Elektronik mit Gehäuse / Electronic with Housing | 19 |
| 15. | Rezervoar / Tank / Tank..... | 20 |
| 16. | Zaščita bloka / Blockschutz / Block Guard..... | 21 |
| 17. | Hidro škripec / Hydroumlenkrolle / Hydro Pulley | 22 |
| 17.1 | Potisni koluti / Scheibe Für Hydroumlenkrolle / Disc Of Hydropulley | 23 |
| 18. | Zaščita I / Schutz I / Protection I | 24 |
| 19. | Zaščita II / Schutz II / Protection II | 25 |
| 20. | Zaščita III / Schutz III / Protection III..... | 26 |
| 21. | Zaščita IV / Schutz IV / Protection IV | 27 |
| 22. | Zaščita rezervoarja / Tankschutz / Tank Protection | 28 |
| 23. | Pokrov zaboja L / Kastendeckel L / Box Cover L | 29 |
| 24. | Pokrov zaboja D / Kastendeckel R / Box Cover R | 30 |
| 25. | Zaščita L / Schutz L / Protection L | 31 |
| 26. | Zaščita D / Schutz R / Protection R..... | 32 |
| 27. | Črpalka / Pumpe / Pump | 33 |
| 28. | Podporna noga / Stützfuß / Support Leg..... | 34 |
| 29. | Mazalni sistem / Schmiersystem / Lubrication system | 35 |

| | | |
|------|----------------------------------------------------------------------------------------------------------|----|
| 30. | Zaščita V / Schutz V / Protection V | 36 |
| 31. | Napenjalec žične vrvi / Seilspanner / Wire Rope Tightener | 37 |
| 32. | Sprednja zaščita / Frontschutz / Front guard..... | 38 |
| 32.1 | Nosilec kardana / Kardanhalter / PTO shaft holder | 39 |
| 33. | Nosilec cevi / Rohrträger / Pipe Holder | 40 |
| 34. | Spodnji škripec / Untere Umlenkrolle / Bottom winch pulley | 41 |
| 34.1 | Spodnji škripec I / Untere Umlenkrolle I / Bottom winch pulley I | 42 |
| 35. | Spodnji izkl. škripec / Untere Umlenkrolle mit STOP Schalter / Lower Pulley with STOP Switch | 43 |
| 35.1 | Spodnji izkl. škripec I / Untere Umlenkrolle mit STOP Schalter I / Lower Pulley with STOP Switch I | 44 |

1. Vitel / Winde / Winch 10EH

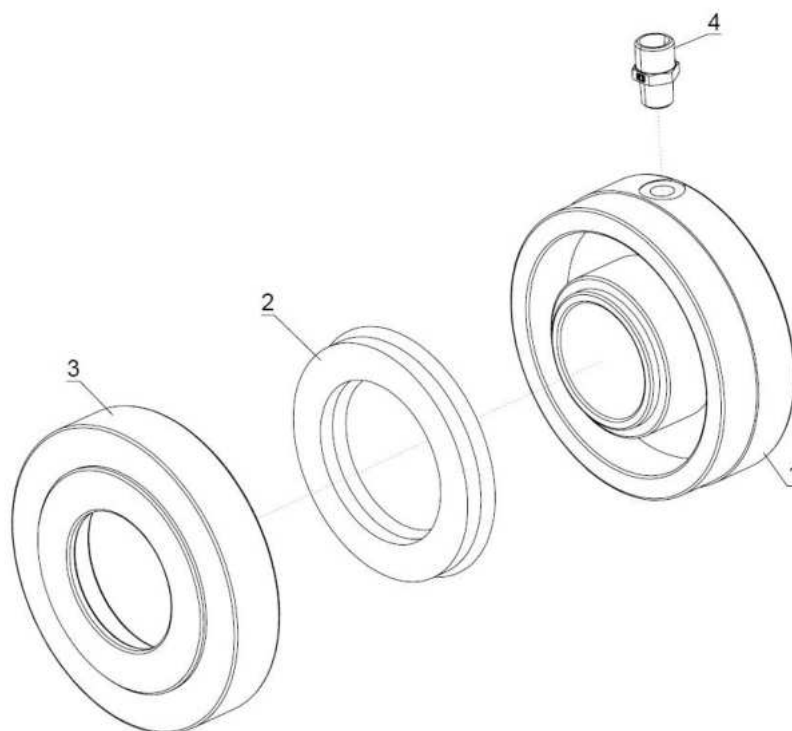


| 300019012 Vitel 10EH | | | Winde 10EH | Winch 10EH |
|----------------------|-------------------------------------|------------------------|------------------------|-------------------------|
| Poz. | Šifra/Code | Opis | DE | EN |
| 1 | 300019003 | Ohišje 2000 | Gehäuse 2000 | Housing 2000 |
| 1.1 | 300018970 | Ohišje 2200 | Gehäuse 2200 | Housing 2200 |
| 2 | 300019008 | Spodnja deska 2000 | Niedrige Schild 2000 | Bottom Ramp 2000 |
| 2.1 | 300018965 | Spodnja deska 2200 | Niedrige Schild 2200 | Bottom Ramp 2200 |
| 3 | 300011159 | Sornik 2000 | Bolzen 2000 | Pin 2000 |
| 3.1 | 30007878 | Sornik 2200 | Bolzen 2200 | Pin 2200 |
| 4 | 200000582 | Zatič | Stift | Pin |
| 5 | 200000579 | Zatič | Stift | Pin |
| 6 | 300018736 | Os | Achse | Axle |
| 7 | 200005570 | Vijak | Schraube | Screw |
| 8 | 300018497 | Cilinder sklopke | Kupplungszyylinder | Clutch Cylinder |
| 9 | 200008710 200008755 200008755 | Ležaj | Lager | Bearing |
| 10 | 300018707 | Verižnik | Kettenrad | Chain wheel |
| 11 | 200009814 | Krožnikasta vzmet | Tellerfeder | Cup Spring |
| 12 | 300018507 | Sklopka velika | Kupplung gross | Clutch big |
| 13 | 300020569 | Plošča | Platte | Plate |
| 14 | 300018510 | Sklopka mala | Kupplung klein | Clutch small |
| 15 | 300018712 | Boben | Trommel | Drum |
| 16 | 300018801 | Zavorni pas | Bremsband | Brake Belt |
| 17 | 300020172 | Mehanizem zavore | Bremsmechanismus | Brake Mechanism |
| 18 | 300007690 | Sornik | Bolzen | Pin |
| 19 | 300018738 | Puša | Büchse | Bushing |
| 20 | 300018747 | Pokrov jedra | Kernabdeckung | Core Cover |
| 21 | 300019575 | Sornik | Bolzen | Pin |
| 22 | 200009639 | Vzmet | Feder | Spring |
| 23 | 200009615 | Vijak | Schraube | Screw |
| 24 | 300002872 | Sornik | Bolzen | Pin |
| 25 | 300018613 | Pogon zgornji | Antrieb oben | Drive upper |
| 26 | 300018754 | Pogon spodnji | Antrieb unten | Drive lower |
| 27 | 200010807 | Veriga | Kette | Chain |
| 28 | 200010752 | Veriga | Kette | Chain |
| 29 | 300019279 | Hidravlični blok | Hidraulische Block | Hydraulic Block |
| 30 | 200010754 | Veriga | Kette | Chain |
| 31 | 300018979 | Zaščitna mreža | Schutzgitter | Safety Guard |
| 32 | 300025275 | Nosilec motorne žage L | Motorsägehalterung L | Chainsaw Holder L |
| 33 | 300025274 | Nosilec motorne žage D | Motorsägehalterung R | Chainsaw Holder R |
| 34 | 300018181 | Nosilec kanistra | Kanisterhalter | Canister holder |
| 35 | 200001045 | Zatič | Stift | Pin |
| 36 | 300021928 | Elektronika z ohišjem | Elektronik mit Gehäuse | Electronic with Housing |
| 37 | 300017576 | Rezervoar | Tank | Tank |
| 38 | 300018750 | Zaščita bloka | Blockschutz | Block Guard |
| 39 | 200009103 | Matica | Mutter | Nut |
| 40 | 300018587 | Matica | Mutter | Nut |
| 41 | 300018570 | Hidro škripec | Hydroumlenkrolle | Hydro Pulley |
| 42 | 300018792 | Zaščita I | Schutz I | Protection I |
| 43 | 200009099 | Matica | Mutter | Nut |
| 44 | 300018793 | Zaščita II | Schutz II | Protection II |
| 45 | 300018794 | Zaščita III | Schutz III | Protection III |
| 46 | 300018795 | Zaščita IV | Schutz IV | Protection IV |
| 47 | 300017407 | Pokrov | Deckel | Cover |
| 48 | 200009040 | Vijak | Schraube | Screw |
| 49 | 300018779 | Zaščita rezervoarja | Tankschutz | Tank Protection |
| 50 | 300018986 | Pokrov zaboja L | Kastendeckel L | Box Cover L |
| 51 | 300018987 | Pokrov zaboja D | Kastendeckel R | Box Cover R |
| 52 | 300018993 | Zaščita L | Schutz L | Protection L |
| 53 | 300018994 | Zaščita D | Schutz R | Protection R |
| 54 | 200010847 | Cev hid. | Hydraulikschlauch | Hydraulic Pipe |

| | | | | |
|-----|-----------|-----------------------|--------------------|----------------------|
| 55 | 200010844 | Cev hid. | Hydraulikschlauch | Hydraulic Pipe |
| 56 | 200010845 | Cev hid. | Hydraulikschlauch | Hydraulic Pipe |
| 57 | 200010840 | Cev hid. | Hydraulikschlauch | Hydraulic Pipe |
| 58 | 200010842 | Cev hid. | Hydraulikschlauch | Hydraulic Pipe |
| 59 | 200000976 | Priključek | Anschluss | Coupling |
| 60 | 200010843 | Cev hid. | Hydraulikschlauch | Hydraulic Pipe |
| 61 | 200002623 | Tesnilo | Dichtung | Seal |
| 62 | 200010846 | Cev hid. | Hydraulikschlauch | Hydraulic Pipe |
| 63 | 200001839 | Vijak votli | Hohlschraube | Hollow Screw |
| 64 | 300017577 | Črpalka | Pumpe | Pump |
| 65 | 300018924 | Sornik | Bolzen | Pin |
| 66 | 300018923 | Distančnik | Abstandhalter | Spacer |
| 67 | 300018933 | Podporna noga | Stüßfuß | Support Leg |
| 68 | 300018933 | Podporna noga | Stüßfuß | Support Leg |
| 69 | 300018969 | Sornik | Bolzen | Pin |
| 70 | 300021490 | Cilinder | Zylinder | Cylinder |
| 71 | 200000580 | Zatič | Stift | Pin |
| 72 | 200002560 | Ventil | Ventil | Valve |
| 73 | 200001914 | Tesnilo | Dichtung | Seal |
| 74 | 200001840 | Vijak votli | Hohlschraube | Hollow Screw |
| 75 | 200009097 | Vijak | Schraube | Screw |
| 76 | 200005584 | Vijak | Schraube | Screw |
| 77 | 300000135 | Podložka | Unterlegscheibe | Washer |
| 78 | 200000525 | Matica | Mutter | Nut |
| 79 | 300000291 | Podložka | Unterlegscheibe | Washer |
| 80 | 200007022 | Matica | Mutter | Nut |
| 81 | 200000458 | Vijak | Schraube | Screw |
| 82 | 300018562 | Podložka | Unterlegscheibe | Washer |
| 83 | 200000553 | Podložka | Unterlegscheibe | Washer |
| 84 | 200001172 | Vijak | Schraube | Screw |
| 85 | 300008593 | Matica | Mutter | Nut |
| 86 | 300018775 | Mazalni sistem | Schmiersystem | Lubrication system |
| 87 | 200009101 | Matica | Mutter | Nut |
| 88 | 300025628 | Varovalo | Sicherung | Protection |
| 89 | 200003777 | Podložka | Unterlegscheibe | Washer |
| 90 | 300020359 | Kabelski set | Kabel set | Cable Set |
| 91 | 200010809 | Spojni člen | Verbindungsglied | Connecting Link |
| 92 | 200010773 | Spojni člen | Verbindungsglied | Connecting Link |
| 93 | 200010767 | Spojni člen | Verbindungsglied | Connecting Link |
| 94 | 300019326 | Vodilo D | Führung R | Guide R |
| 95 | 300019327 | Vodilo D | Führung R | Guide R |
| 96 | 300019328 | Vodilo L | Führung L | Guide L |
| 97 | 200010463 | Tipaska tablica | Typenschild | Identification plate |
| 98 | 200000571 | Kovica | Niet | Rivet |
| 99 | 300021207 | Pokrov F | Deckel F | Cover F |
| 100 | 300021207 | Pokrov F | Deckel F | Cover F |
| 101 | 200000600 | Mazalka | Schmiernippel | Lubrication Nipple |
| 102 | 300021987 | Zaščita V | Schutz V | Protection V |
| 103 | 300019292 | Napenjalec žične vrvi | Seilspanner | Wire Rope Tightener |
| 104 | 300018773 | Sprednja zaščita | Frontschutz | Front guard |
| 105 | 300019628 | Nosilec cevi | Rohrträger | Pipe Holder |
| 106 | 300025097 | Ključ | Schlüssel | Wrench |
| 107 | 200000348 | Vijak | Schraube | Screw |
| 108 | 200000538 | Podložka | Unterlegscheibe | Washer |
| 109 | 300025503 | Spodnji škripec | Untere Umlenkrolle | Bottom winch pulley |
| 110 | 200000972 | Priključek | Anschluss | Coupling |
| 111 | 200012434 | Cev hid. | Hydraulikschlauch | Hydraulic Pipe |
| 112 | 200012433 | Cev hid. | Hydraulikschlauch | Hydraulic Pipe |
| 113 | 200012437 | Cev hid. | Hydraulikschlauch | Hydraulic Pipe |
| 114 | 200012437 | Cev hid. | Hydraulikschlauch | Hydraulic Pipe |
| 115 | 200012436 | Cev hid. | Hydraulikschlauch | Hydraulic Pipe |

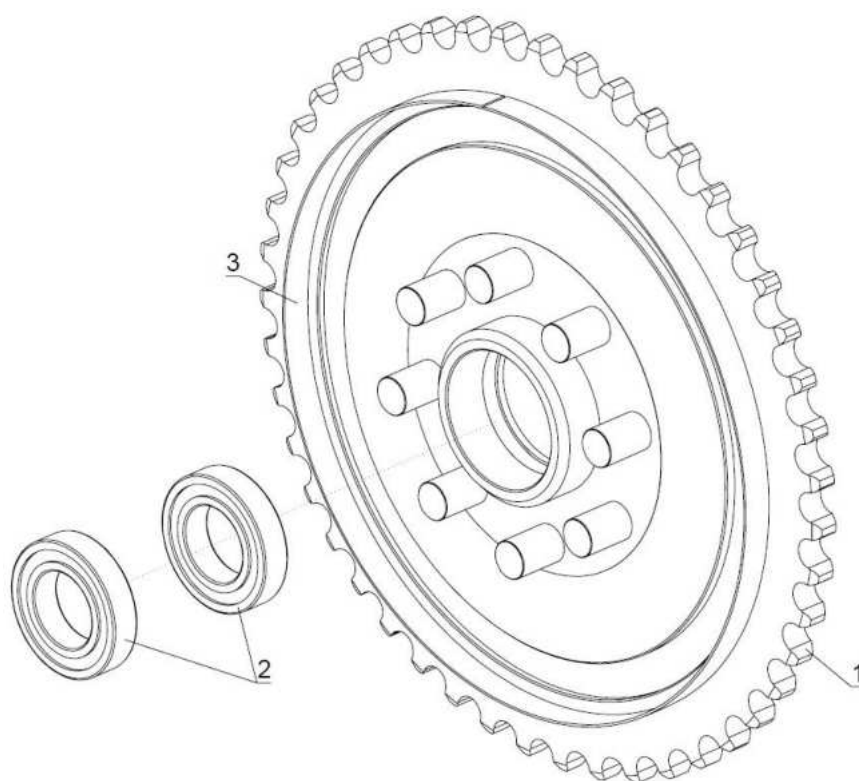
| | | | | |
|-----|-----------|-----------------|-------------------|-----------------|
| 116 | 200012435 | Cev hid. | Hydraulikschlauch | Hydraulic Pipe |
| 117 | 200000440 | Vijak | Schraube | Screw |
| 118 | 200000509 | Matica | Mutter | Nut |
| 119 | 300025584 | Krmilna konzola | Steuerkonsole | Control console |
| 120 | 200000041 | Zaščita | Schutz | Protection |

1. Cilinder sklopke / Kupplungszyylinder / Clutch Cylinder



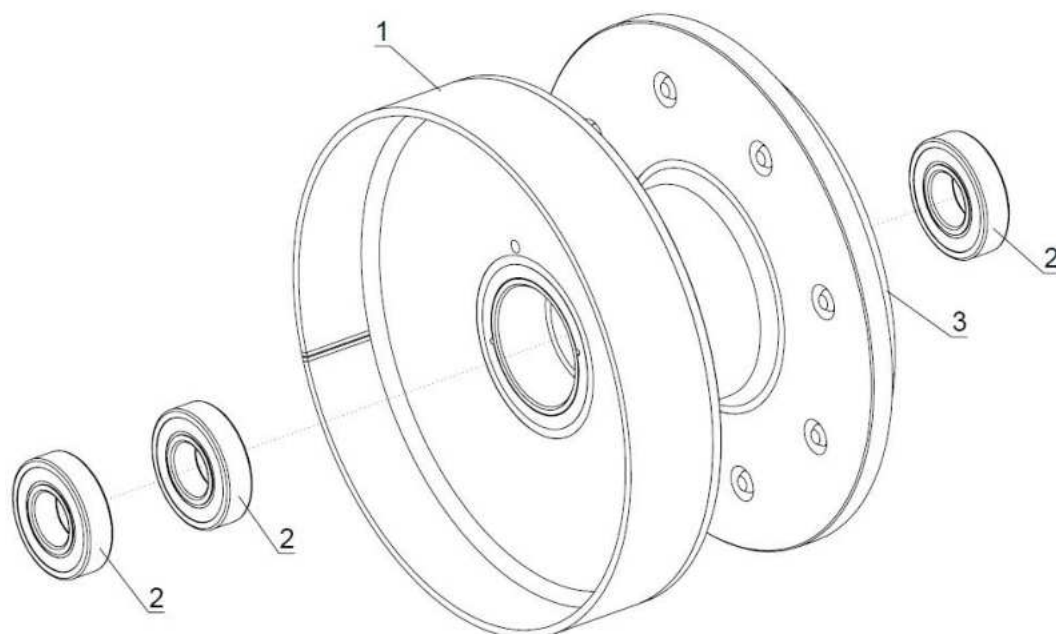
| 300018497 Cilinder sklopke | | | Kupplungszyylinder | Clutch Cylinder |
|----------------------------|------------|------------|--------------------|-----------------|
| Poz. | Šifra/Code | Opis | DE | EN |
| 1 | 300018496 | Cilinder | Zylinder | Cylinder |
| 2 | 200000025 | Tesnilo | Dichtung | Seal |
| 3 | 300018495 | Pokrov | Deckel | Cover |
| 4 | 200000975 | Priključek | Anschluss | Coupling |

2. Verižnik / Kettenrad / Chain Wheel



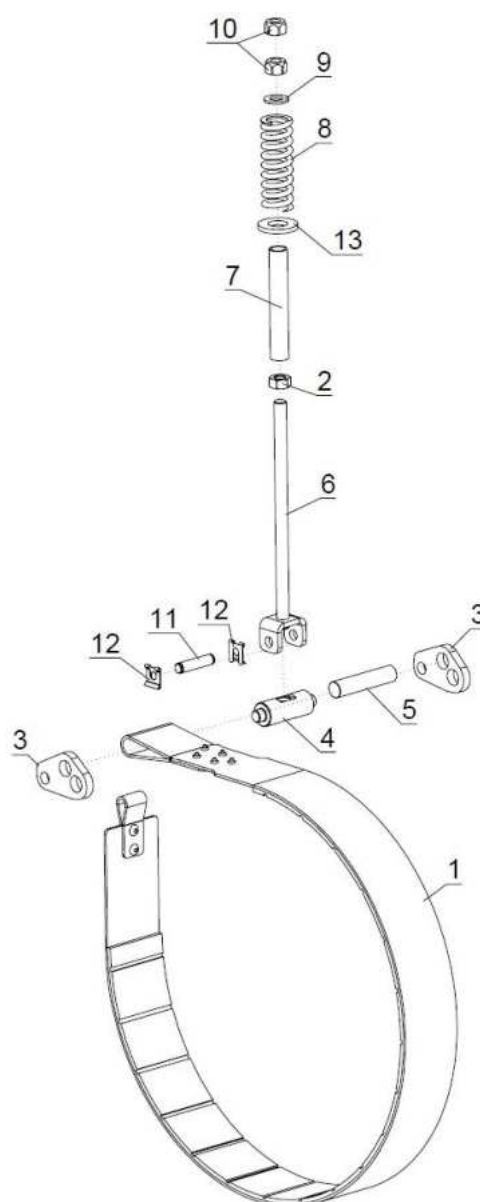
| 300018707 Verižnik | | | Kettenrad | Chain Wheel |
|--------------------|------------|----------|-----------|-------------|
| Poz. | Šifra/Code | Opis | DE | EN |
| 1 | 300018706 | Verižnik | Kettenrad | Chain Wheel |
| 2 | 200008754 | Ležaj | Lager | Bearing |
| 3 | 300018502 | Pasek | Gürtel | Belt |

3. Boben / Trommel / Drum



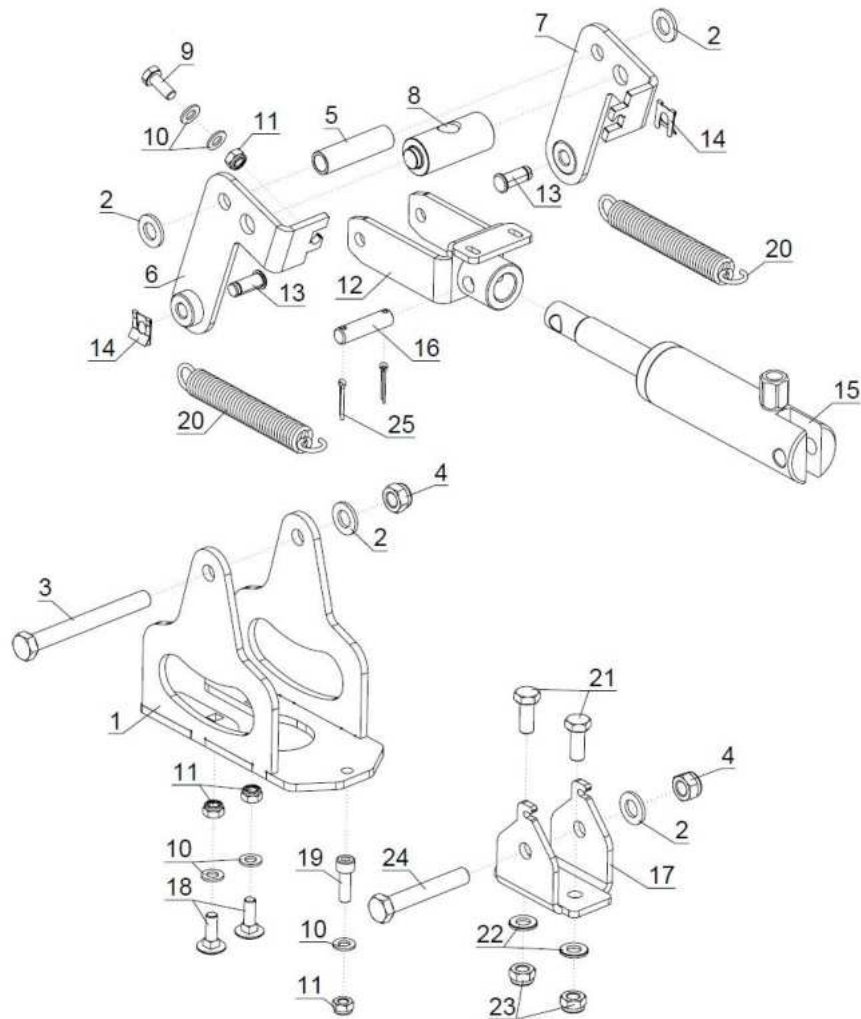
| 300018712 Boben | | | Trommel | Drum |
|-----------------|------------|-------|---------|---------|
| Poz. | Šifra/Code | Opis | DE | EN |
| 1 | 300018711 | Boben | Trommel | Drum |
| 2 | 200000012 | Ležaj | Lager | Bearing |
| 3 | 300018515 | Pasek | Gürtel | Belt |

4. Zavorni pas / Bremsband / Brake Belt



| 300018801 Zavorni pas | | | Bremsband | Brake Belt |
|-----------------------|------------|------------------|---------------------|-----------------------------|
| Poz. | Šifra/Code | Opis | DE | EN |
| 1 | 300018797 | Zavorni pas | Bremsband | Brake Belt |
| 2 | 200003074 | Matica | Mutter | Nut |
| 3 | 300019031 | Ekscenter | Exzenter | Excentre |
| 4 | 300018799 | Kolenc | Bügel | Ratchet |
| 5 | 300018800 | Zatič | Stift | Pin |
| 6 | 300019063 | Zategovalec pasa | Gurtstraffer Gesch. | Brake Band Tensioner Welded |
| 7 | 300020007 | Cev | Rohr | Pipe |
| 8 | 200000720 | Vzmet | Feder | Spring |
| 9 | 200000552 | Podložka | Unterlegscheibe | Washer |
| 10 | 200002734 | Matica | Mutter | Nut |
| 11 | 300018798 | Sornik | Bolzen | Pin |
| 12 | 200009607 | Varovalo | Sicherung | Protection |
| 13 | 300000135 | Podložka | Unterlegscheibe | Washer |

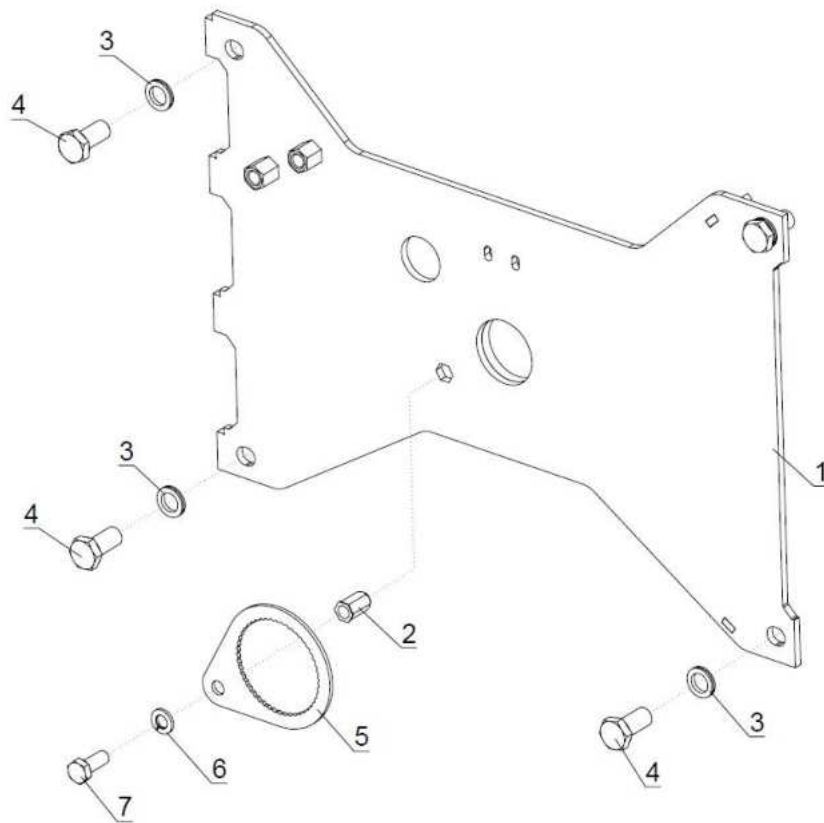
5. Mehanizem zavore / Bremsmechanismus / Brake Mechanism



| 300020172 Mehanizem zavore | | | Bremsmechanismus | Brake Mechanism |
|----------------------------|------------|------------|------------------|-----------------|
| Poz. | Šifra/Code | Opis | DE | EN |
| 1 | 300020168 | Ohišje | Gehäuse | Housing |
| 2 | 200000548 | Podložka | Unterlegscheibe | Washer |
| 3 | 200000404 | Vijak | Schraube | Screw |
| 4 | 200000510 | Matica | Mutter | Nut |
| 5 | 300020171 | Distančnik | Abstandhalter | Spacer |
| 6 | 300020165 | Vzvod I | Hebel I | Lever I |
| 7 | 300020166 | Vzvod II | Hebel II | Lever II |
| 8 | 300020170 | Kolenc | Bügel | Ratchet |
| 9 | 200000361 | Vijak | Schraube | Screw |
| 10 | 200000540 | Podložka | Unterlegscheibe | Washer |
| 11 | 200000503 | Matica | Mutter | Nut |
| 12 | 300020169 | Vilice | Gabel | Fork |
| 13 | 200008333 | Sornik | Bolzen | Pin |
| 14 | 200008334 | Varovalo | Sicherung | Protection |
| 15 | 300011260 | Cilinder | Zylinder | Cylinder |
| 16 | 300019664 | Sornik | Bolzen | Pin |
| 17 | 300020167 | Uho | Öse | Loop |
| 18 | 200002234 | Vijak | Schraube | Screw |
| 19 | 200000363 | Vijak | Schraube | Screw |
| 20 | 200000080 | Vzmet | Feder | Spring |
| 21 | 200000381 | Vijak | Schraube | Screw |
| 22 | 200000545 | Podložka | Unterlegscheibe | Washer |

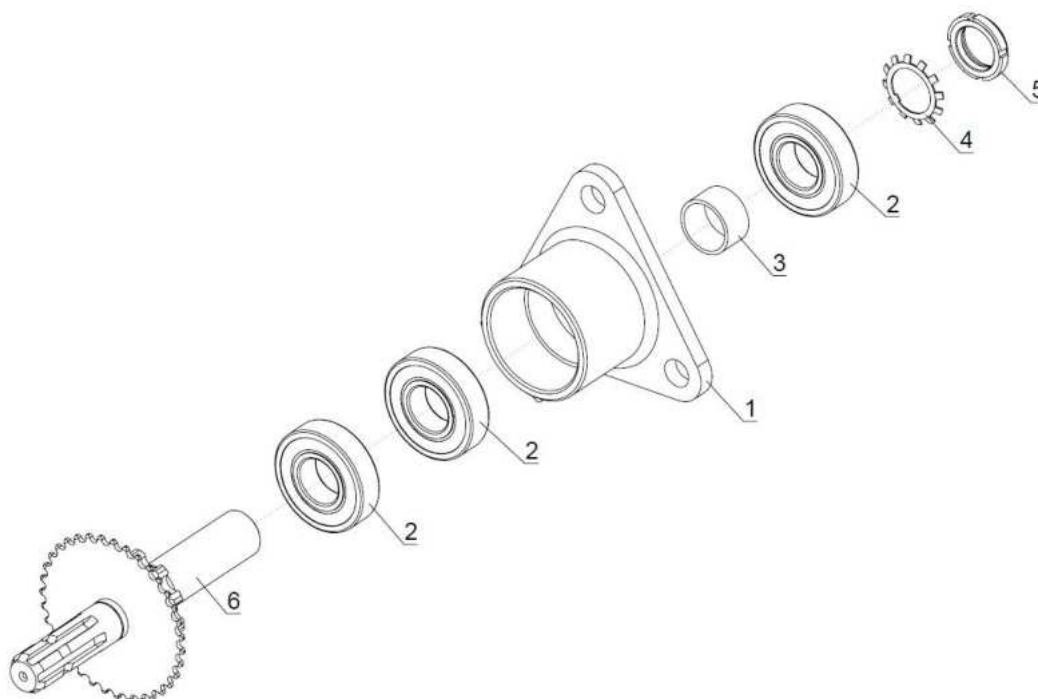
| | | | | |
|----|-----------|----------|----------|------------|
| 23 | 200000506 | Matica | Mutter | Nut |
| 24 | 200000430 | Vijak | Schraube | Screw |
| 25 | 200000563 | Razcepka | Splinte | Cotter Pin |

6. Pokrov jedra / Kernabdeckung / Core Cover



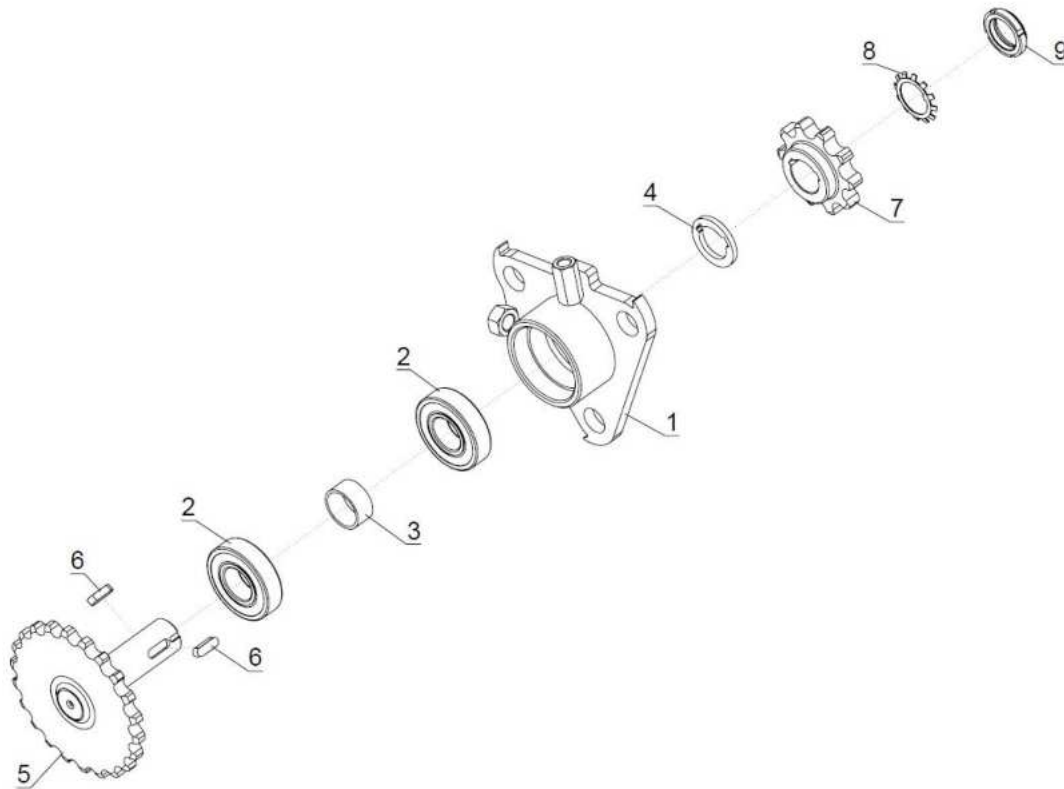
| 300018747 Pokrov jedra | | | Kernabdeckung | Core Cover |
|------------------------|------------|----------|-----------------|------------|
| Poz. | Šifra/Code | Opis | DE | EN |
| 1 | 300018746 | Pokrov | Deckel | Cover |
| 2 | 200009103 | Matica | Mutter | Nut |
| 3 | 200006042 | Podložka | Unterlegscheibe | Washer |
| 4 | 200000438 | Vijak | Schraube | Screw |
| 5 | 300018756 | Varovalo | Sicherung | Protection |
| 6 | 200000547 | Podložka | Unterlegscheibe | Washer |
| 7 | 200000381 | Vijak | Schraube | Screw |

7. Pogon zgornji / Antrieb oben / Drive upper



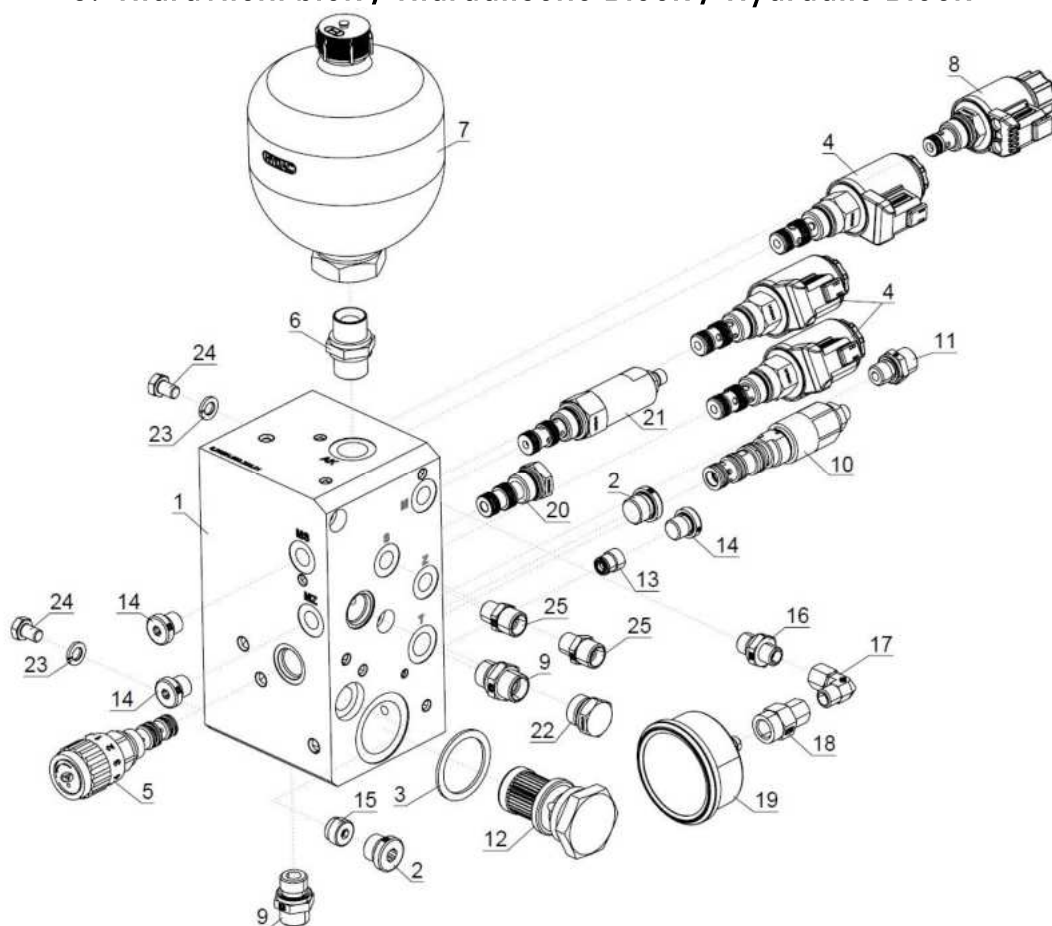
| 300018613 Pogon zgornji | | | Antrieb oben | Drive upper |
|-------------------------|------------|----------------|-----------------|-------------|
| Poz. | Šifra/Code | Opis | DE | EN |
| 1 | 300018609 | Ohišje | Gehäuse | Housing |
| 2 | 200000011 | Ležaj | Lager | Bearing |
| 3 | 300007699 | Distančnik | Abstandhalter | Spacer |
| 4 | 200000006 | Podložka | Unterlegscheibe | Washer |
| 5 | 200001588 | Matica | Mutter | Nut |
| 6 | 300018607 | Kardanska gred | Kardanwelle | PTO Shaft |

8. Pogon spodnji / Antrieb unten / Drive lower



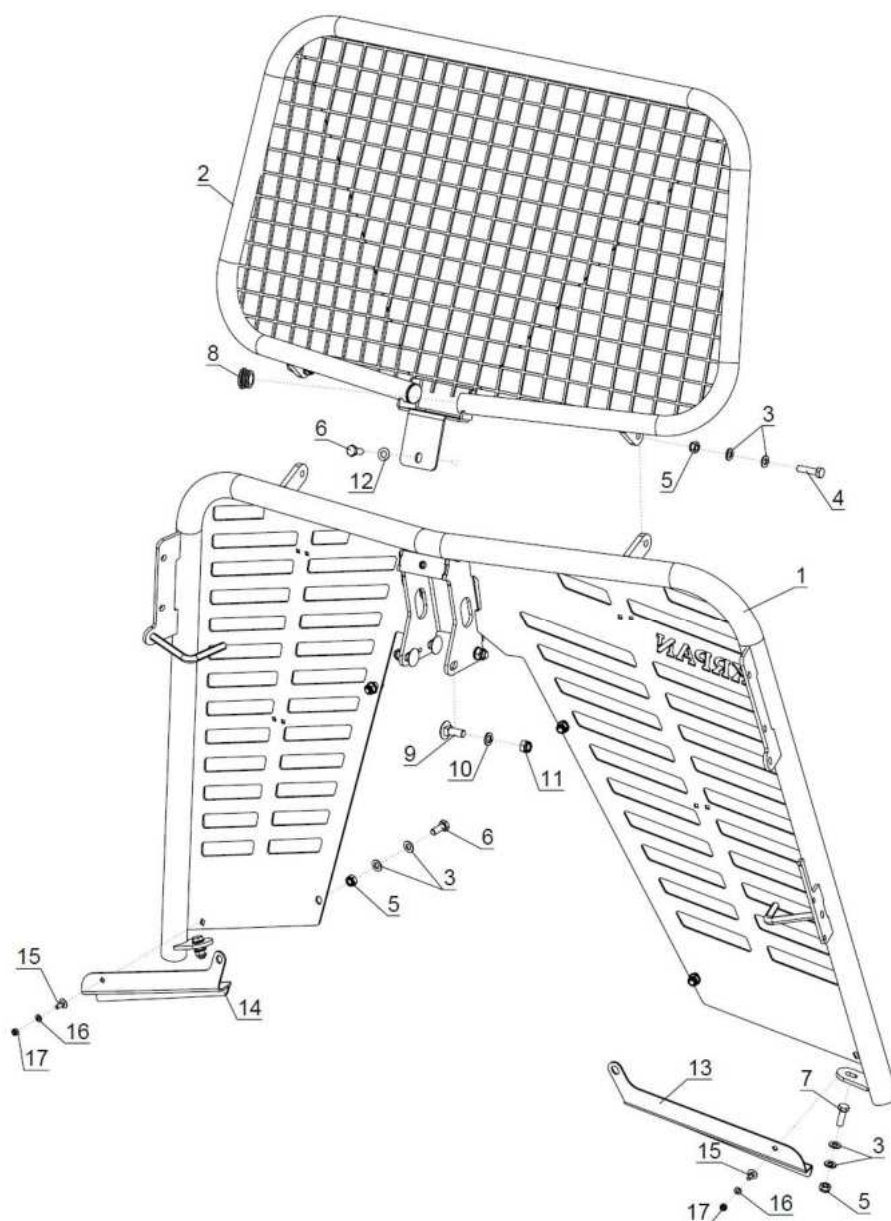
| 300018754 Pogon spodnji | | | Antrieb unten | Drive lower |
|-------------------------|------------|------------|-----------------|-------------|
| Poz. | Šifra/Code | Opis | DE | EN |
| 1 | 300018611 | Ohišje | Gehäuse | Housing |
| 2 | 200000011 | Ležaj | Lager | Bearing |
| 3 | 300007714 | Distančnik | Abstandhalter | Spacer |
| 4 | 300018524 | Podložka | Unterlegscheibe | Washer |
| 5 | 300018752 | Gred | Welle | Shaft |
| 6 | 200003996 | Moznik | Dübel | Dowel |
| 7 | 300007719 | Verižnik | Kettenrad | Chain Wheel |
| 8 | 200000006 | Podložka | Unterlegscheibe | Washer |
| 9 | 200001588 | Matica | Mutter | Nut |

9. Hidravlični blok / Hidraulische Block / Hydraulic Block



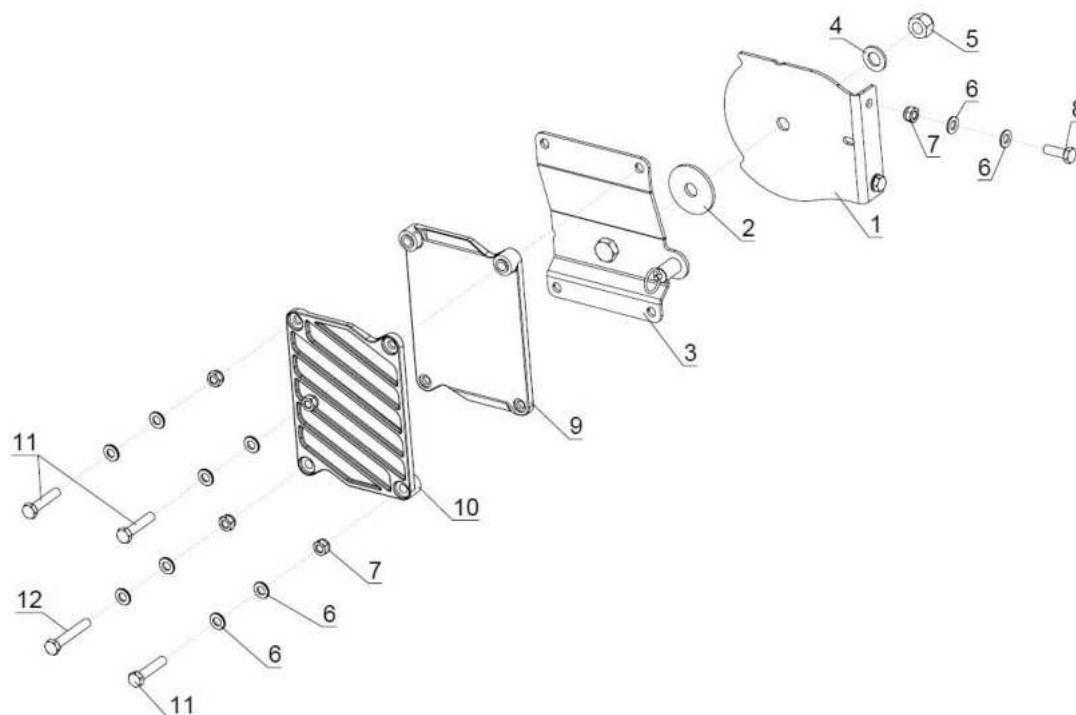
| 300019279 Hidravlični blok | | | Hidraulische Block | Hydraulic Block |
|----------------------------|------------|-------------------|--------------------|--------------------|
| Poz. | Šifra/Code | Opis | DE | EN |
| 1 | 300016537 | Blok | Block | Block |
| 2 | 200003308 | Čep | Zapfen | Plug |
| 3 | 200008452 | Tesnilo | Dichtung | Seal |
| 4 | 200008265 | Ventil | Ventil | Valve |
| 5 | 200008465 | Regulator pretoka | Mengenteiler | Flow Regulator |
| 6 | 200008864 | Ventil | Ventil | Valve |
| 7 | 200002833 | Akumulator | Acumulator | Accumulator |
| 8 | 200008267 | Ventil | Ventil | Valve |
| 9 | 200005333 | Priključek | Anschluss | Coupling |
| 10 | 200000085 | Ventil | Ventil | Valve |
| 11 | 200009574 | Ventil | Ventil | Valve |
| 12 | 200009061 | Filter | Filter | Filter |
| 13 | 200008434 | Ventil | Ventil | Valve |
| 14 | 200001466 | Čep | Zapfen | Plug |
| 15 | 200005736 | Ventil | Ventil | Valve |
| 16 | 200009376 | Priključek | Anschluss | Coupling |
| 17 | 200008438 | Priključek | Anschluss | Coupling |
| 18 | 200008440 | Priključek | Anschluss | Coupling |
| 19 | 200001917 | Manometer | Manometer | Pressure Gauge |
| 20 | 200008274 | Čep | Zapfen | Plug |
| 21 | 200008325 | Regulator tlaka | Druckregler | Pressure Regulator |
| 22 | 200009541 | Čep | Zapfen | Plug |
| 23 | 200000539 | Podložka | Unterlegscheibe | Washer |
| 24 | 200004138 | Vijak | Schraube | Screw |
| 25 | 200000975 | Priključek | Anschluss | Coupling |

10. Zaščitna mreža / Schutzgitter / Safety Guard



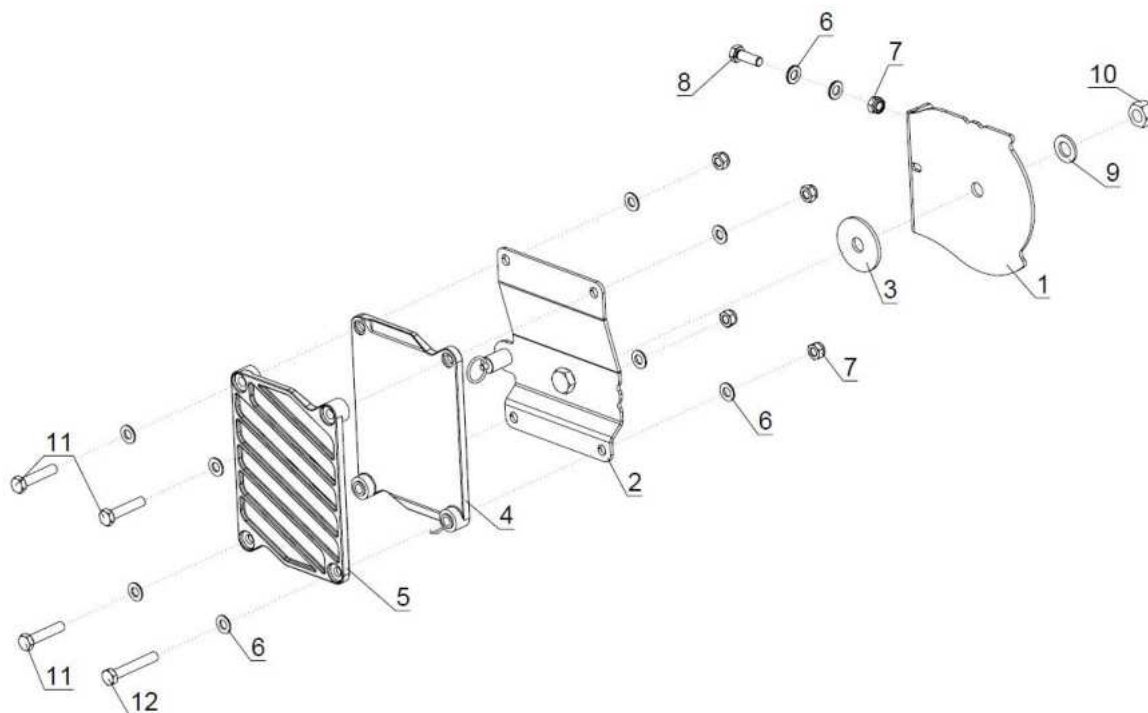
| 300018979 Zaščitna mreža | | | Schutzgitter | Safety Guard |
|--------------------------|------------|----------------|-----------------|--------------|
| Poz. | Šifra/Code | Opis | DE | EN |
| 1 | 300018978 | Zaščitna mreža | Schutzgitter | Safety Guard |
| 2 | 300018938 | Zaščitna mreža | Schutzgitter | Safety Guard |
| 3 | 200000545 | Podložka | Unterlegscheibe | Washer |
| 4 | 200000388 | Vijak | Schraube | Screw |
| 5 | 200000506 | Matica | Mutter | Nut |
| 6 | 200000381 | Vijak | Schraube | Screw |
| 7 | 200000385 | Vijak | Schraube | Screw |
| 8 | 200009609 | Čep | Zapfen | Plug |
| 9 | 200000416 | Vijak | Schraube | Screw |
| 10 | 200000551 | Podložka | Unterlegscheibe | Washer |
| 11 | 200000510 | Matica | Mutter | Nut |
| 12 | 200005434 | Podložka | Unterlegscheibe | Washer |
| 13 | 300020754 | Pokrov L | Deckel L | Cover L |
| 14 | 300020756 | Pokrov D | Deckel R | Cover R |
| 15 | 200005135 | Vijak | Schraube | Screw |
| 16 | 200000536 | Podložka | Unterlegscheibe | Washer |
| 17 | 200000500 | Matica | Mutter | Nut |

11. Nosilec motorne žage L / Motorsägehalterung L / Chainsaw Holder L



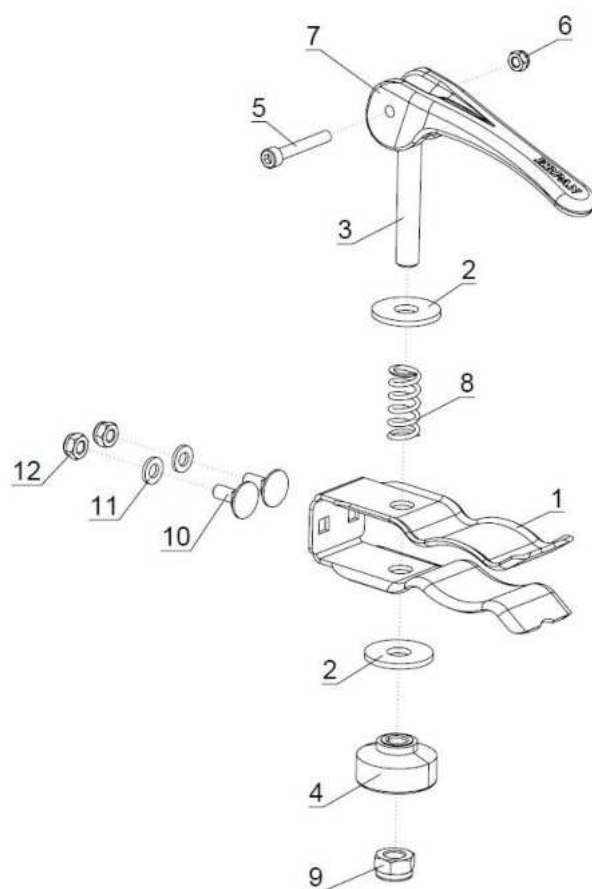
| 300025275 Nosilec motorne žage L | | | Motorsägehalterung L | Chainsaw Holder L |
|----------------------------------|------------|------------|----------------------|-------------------|
| Poz. | Šifra/Code | Opis | DE | EN |
| 1 | 300025267 | Nosilec L | Träger L | Holder L |
| 2 | 300017572 | Podložka | Unterlegscheibe | Washer |
| 3 | 300025273 | Plošča L | Platte L | Plate L |
| 4 | 200000555 | Podložka | Unterlegscheibe | Washer |
| 5 | 200004158 | Matica | Mutter | Nut |
| 6 | 200000545 | Podložka | Unterlegscheibe | Washer |
| 7 | 200000506 | Matica | Mutter | Nut |
| 8 | 200000385 | Vijak | Schraube | Screw |
| 9 | 200009837 | Nosilec I | Träger I | Holder I |
| 10 | 200009838 | Nosilec II | Träger II | Holder II |
| 11 | 200000392 | Vijak | Schraube | Screw |
| 12 | 200000399 | Vijak | Schraube | Screw |

12. Nosilec motorne žage D / Motorsägehalterung R / Chainsaw Holder R



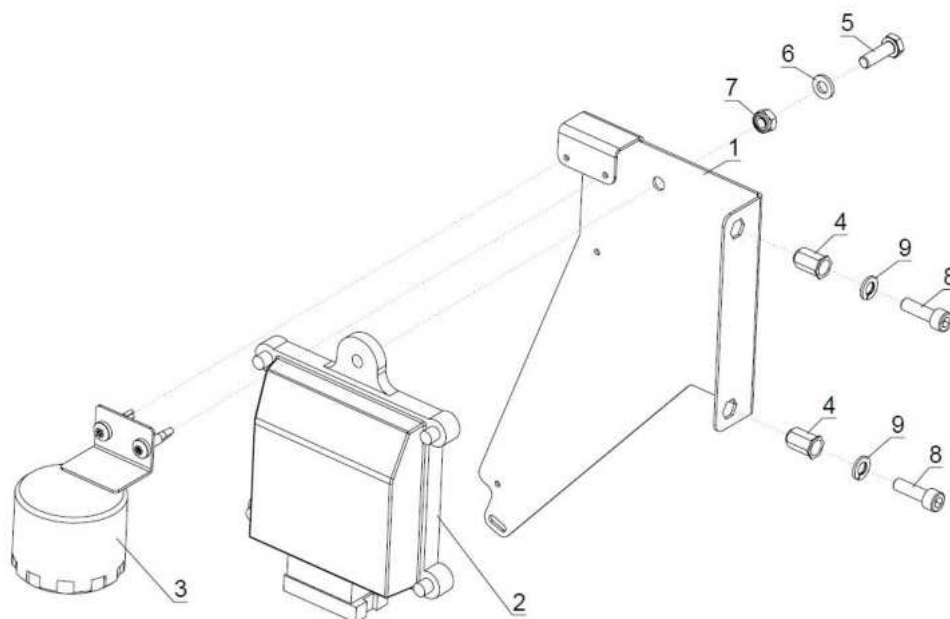
| 300025274 Nosilec motorne žage D | | | Motorsägehalterung R | Chainsaw Holder R |
|----------------------------------|------------|------------|----------------------|-------------------|
| Poz. | Šifra/Code | Opis | DE | EN |
| 1 | 300025265 | Nosilec D | Träger R | Holder R |
| 2 | 300025271 | Plošča D | Platte R | Plate R |
| 3 | 300017572 | Podložka | Unterlegscheibe | Washer |
| 4 | 200009837 | Nosilec I | Träger I | Holder I |
| 5 | 200009838 | Nosilec II | Träger II | Holder II |
| 6 | 200000545 | Podložka | Unterlegscheibe | Washer |
| 7 | 200000506 | Matica | Mutter | Nut |
| 8 | 200000385 | Vijak | Schraube | Screw |
| 9 | 200000555 | Podložka | Unterlegscheibe | Washer |
| 10 | 200004158 | Matica | Mutter | Nut |
| 11 | 200000392 | Vijak | Schraube | Screw |
| 12 | 200000399 | Vijak | Schraube | Screw |

13. Nosilec kanistra / Kanisterhalter / Canister holder



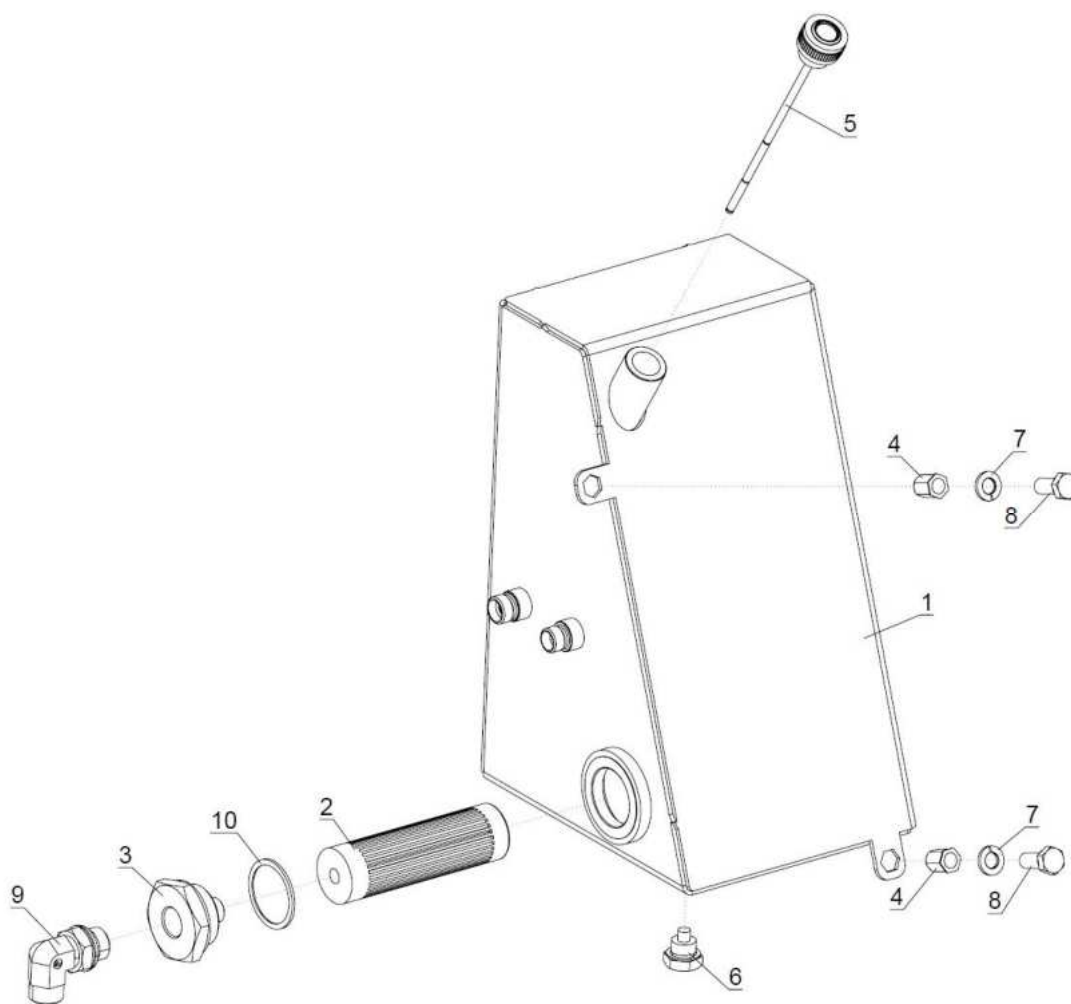
| 300018181 Nosilec kanistra | | | Kanisterhalter | Canister holder |
|----------------------------|------------|----------|-----------------|-----------------|
| Poz. | Šifra/Code | Opis | DE | EN |
| 1 | 300018178 | Nosilec | Träger | Holder |
| 2 | 200000546 | Podložka | Unterlegscheibe | Washer |
| 3 | 300017796 | Sornik | Bolzen | Pin |
| 4 | 200008539 | Matica | Mutter | Nut |
| 5 | 200000339 | Vijak | Schraube | Screw |
| 6 | 200000517 | Matica | Mutter | Nut |
| 7 | 200009834 | Ročica | Hebel | Lever |
| 8 | 200001311 | Vzmet | Feder | Spring |
| 9 | 200000506 | Matica | Mutter | Nut |
| 10 | 200005135 | Vijak | Schraube | Screw |
| 11 | 200000536 | Podložka | Unterlegscheibe | Washer |
| 12 | 200000500 | Matica | Mutter | Nut |

14. Elektronika z ohišjem / Elektronik mit Gehäuse / Electronic with Housing



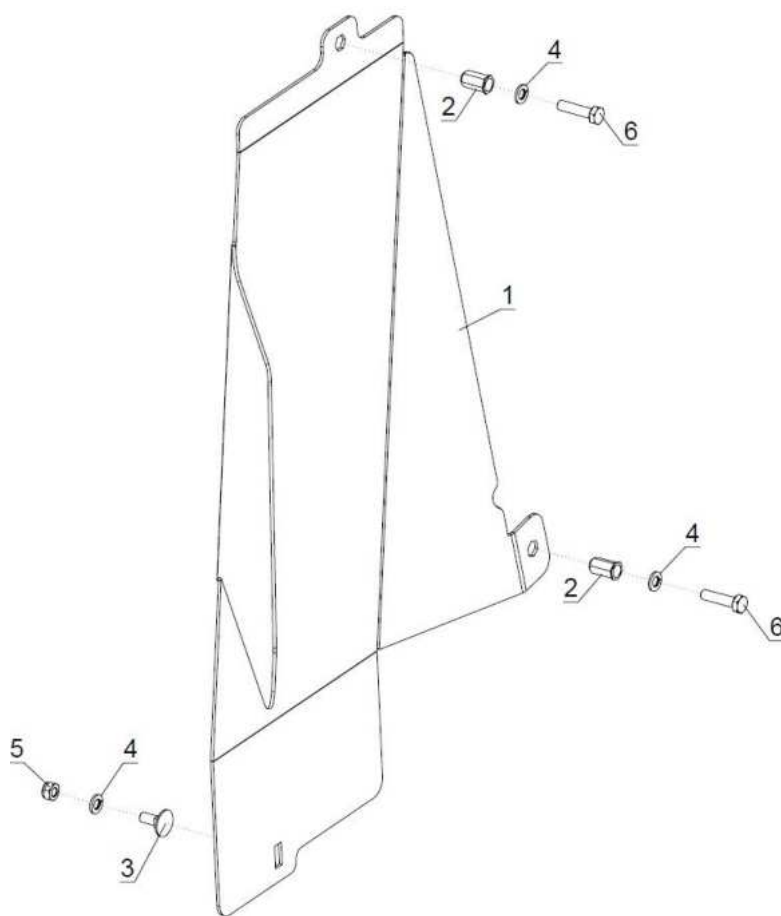
| 300021928 Elektronika z ohišjem | | | Elektronik mit Gehäuse | Electronic with Housing |
|---------------------------------|------------|----------|------------------------|-------------------------|
| Poz. | Šifra/Code | Opis | DE | EN |
| 1 | 300017393 | Nosilec | Träger | Holder |
| 2 | 200009701 | Krmilnik | Kontroller | Controller |
| 3 | 300025088 | Sirena | Sirene | Siren |
| 4 | 200009098 | Matica | Mutter | Nut |
| 5 | 200000348 | Vijak | Schraube | Screw |
| 6 | 200000536 | Podložka | Unterlegscheibe | Washer |
| 7 | 200000500 | Matica | Mutter | Nut |
| 8 | 200002641 | Vijak | Schraube | Screw |
| 9 | 200000538 | Podložka | Unterlegscheibe | Washer |

15. Rezervoar / Tank / Tank



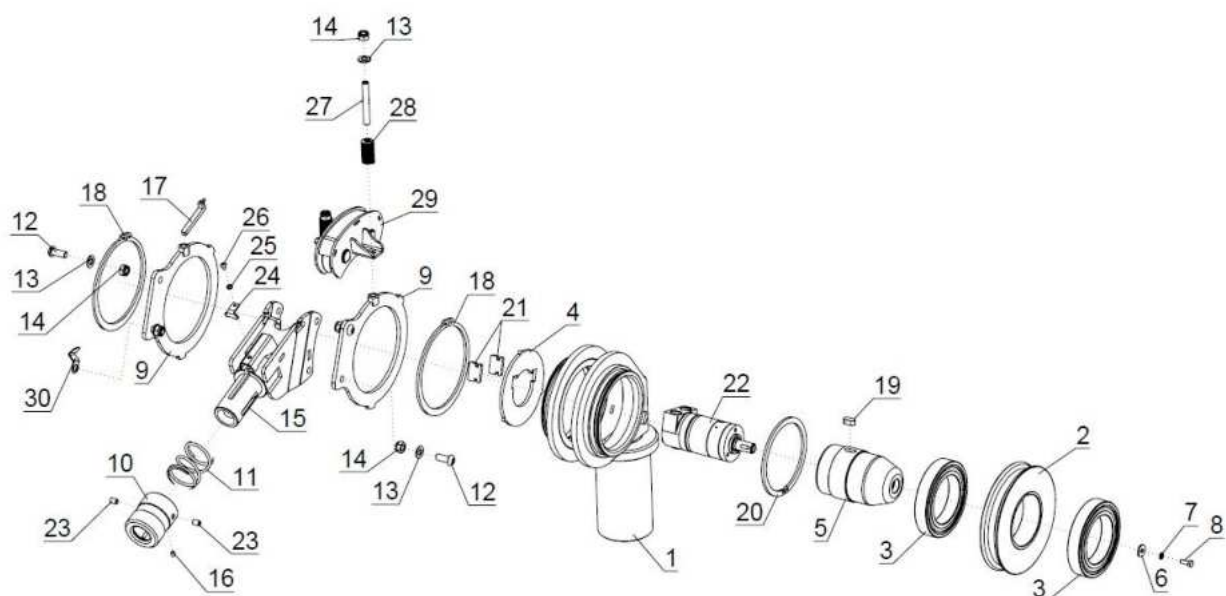
| 300017576 Rezervoar | | | Tank | Tank |
|---------------------|------------|-------------|-----------------|------------|
| Poz. | Šifra/Code | Opis | DE | EN |
| 1 | 300017575 | Rezervoar | Tank | Tank |
| 2 | 200005133 | Filter | Filter | Filter |
| 3 | 300017508 | Priključek | Anschluss | Coupling |
| 4 | 200009102 | Matica | Mutter | Nut |
| 5 | 200009632 | Merilni čep | Ölmesstab | Tank Gauge |
| 6 | 200006175 | Čep | Zapfen | Plug |
| 7 | 200000547 | Podložka | Unterlegscheibe | Washer |
| 8 | 200000381 | Vijak | Schraube | Screw |
| 9 | 200009564 | Priključek | Anschluss | Coupling |
| 10 | 200004477 | Tesnilo | Dichtung | Seal |

16. Zaščita bloka / Blockschutz / Block Guard



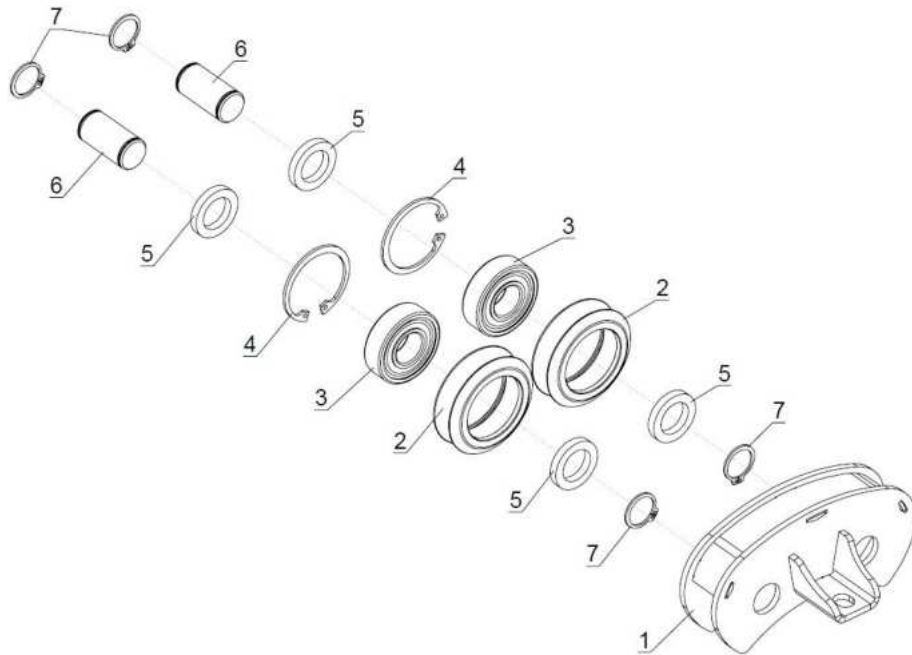
| 300018750 Zaščita bloka | | | Blockschutz | Block Guard |
|-------------------------|------------|----------|-----------------|-------------|
| Poz. | Šifra/Code | Opis | DE | EN |
| 1 | 300018749 | Zaščita | Schutz | Protection |
| 2 | 200009099 | Matica | Mutter | Nut |
| 3 | 200005135 | Vijak | Schraube | Screw |
| 4 | 200000538 | Podložka | Unterlegscheibe | Washer |
| 5 | 200000500 | Matica | Mutter | Nut |
| 6 | 200003600 | Vijak | Schraube | Screw |

17. Hidro škripec / Hydroumlenkrolle / Hydro Pulley



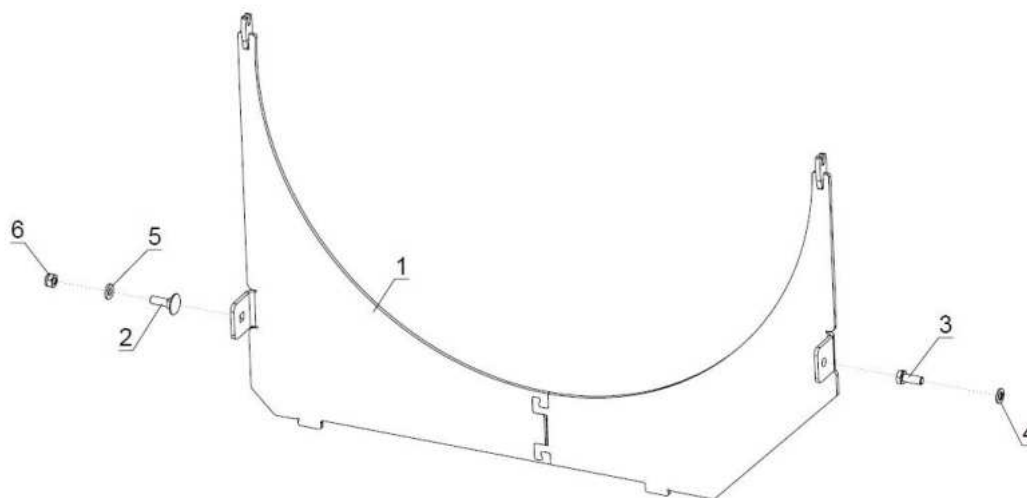
| 300018570 Hidro škripec | | | Hydroumlenkrolle | Hydro Pulley |
|-------------------------|------------|----------------|------------------------------|---------------------|
| Poz. | Šifra/Code | Opis | DE | EN |
| 1 | 300018554 | Ohišje | Gehäuse | Housing |
| 2 | 300018556 | Vrvenica | Seilrolle | Sheave |
| 3 | 200001094 | Ležaj | Lager | Bearing |
| 4 | 300018549 | Pokrov | Deckel | Cover |
| 5 | 300018550 | Gred | Welle | Shaft |
| 6 | 300018175 | Podložka | Unterlegscheibe | Washer |
| 7 | 200006985 | Podložka | Unterlegscheibe | Washer |
| 8 | 200002642 | Vijak | Schraube | Screw |
| 9 | 300018558 | Držalo | Halterung | Holder |
| 10 | 300018186 | Puša | Büchse | Bushing |
| 11 | 200009809 | Vzmet | Feder | Spring |
| 12 | 200002252 | Vijak | Schraube | Screw |
| 13 | 200000545 | Podložka | Unterlegscheibe | Washer |
| 14 | 200000506 | Matica | Mutter | Nut |
| 15 | 300018569 | Vodilo | Führung | Guide |
| 16 | 200008829 | Magnet | Magnet | Magnet |
| 17 | 300019396 | Senzor | Sensor | Sensor |
| 18 | 200009444 | Vskočnik | Sicherungsring | Circlip |
| 19 | 200009436 | Moznik | Dübel | Dowel |
| 20 | 200009445 | Vskočnik | Sicherungsring | Circlip |
| 21 | 300018130 | Omejevalo | Begrenzer | Limitter |
| 22 | 300013564 | Hidromotor | Hydromotor | Hydromotor |
| 23 | 200004462 | Vijak | Schraube | Screw |
| 24 | 300019294 | Pokrov | Deckel | Cover |
| 25 | 200002466 | Podložka | Unterlegscheibe | Washer |
| 26 | 200004197 | Vijak | Schraube | Screw |
| 27 | 200010040 | Vijak | Schraube | Screw |
| 28 | 200009171 | Vzmet | Feder | Spring |
| 29 | 300018563 | Potisni koluti | Scheibe Für Hydroumlenkrolle | Disc Of Hydropulley |
| 30 | 300019483 | Objemka | Klemme | Buckle |

17.1 Potisni koluti / Scheibe Für Hydroumenkrolle / Disc Of Hydropulley



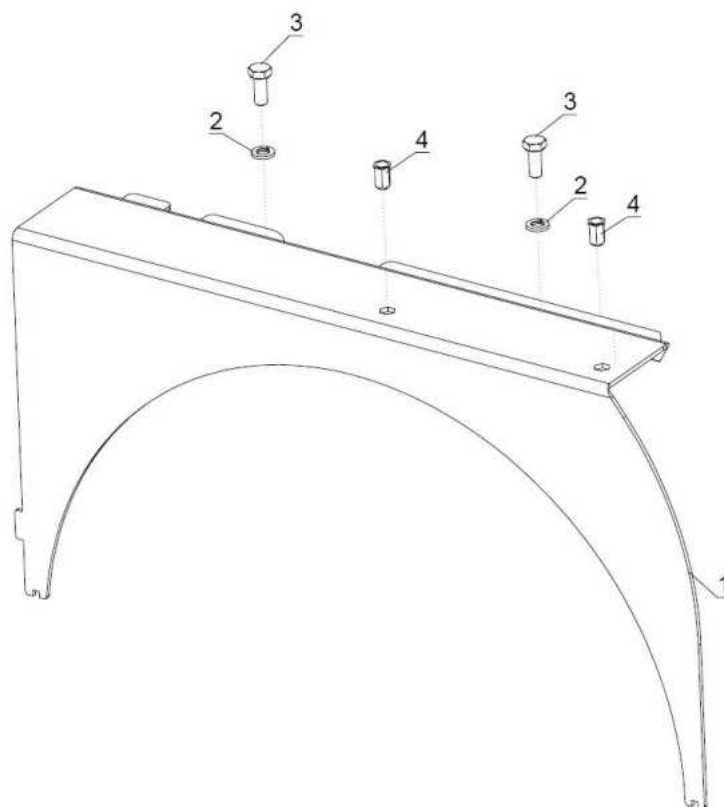
| 300018563 Potisni koluti | | | Scheibe Für Hydroumenkrolle | Disc Of Hydropulley |
|--------------------------|------------|----------|-----------------------------|---------------------|
| Poz. | Šifra/Code | Opis | DE | EN |
| 1 | 300018561 | Ohišje | Gehäuse | Housing |
| 2 | 300019156 | Kolut | Scheibe | Disc |
| 3 | 200000609 | Ležaj | Lager | Bearing |
| 4 | 200000595 | Vskočnik | Sicherungsring | Circlip |
| 5 | 300017378 | Podložka | Unterlegscheibe | Washer |
| 6 | 300017480 | Sornik | Bolzen | Pin |
| 7 | 200001431 | Vskočnik | Sicherungsring | Circlip |

18. Zaščita I / Schutz I / Protection I



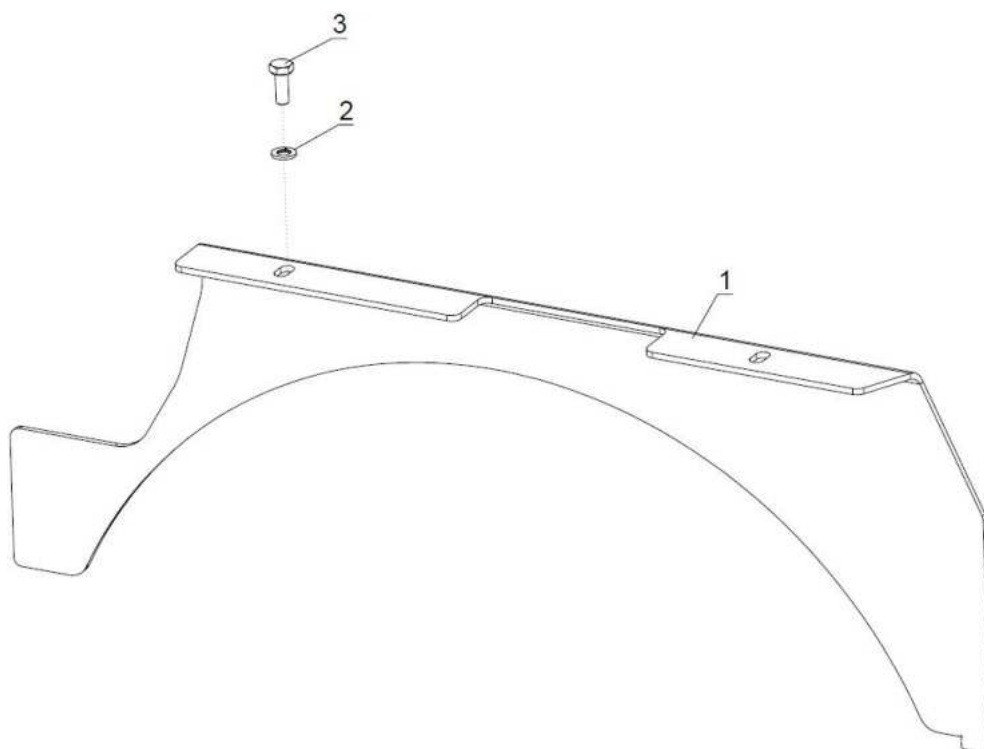
| 300018792 Zaščita I | | | Schutz I | Protection I |
|---------------------|------------|----------|-----------------|--------------|
| Poz. | Šifra/Code | Opis | DE | EN |
| 1 | 300018791 | Zaščita | Schutz | Protection |
| 2 | 200002610 | Vijak | Schraube | Screw |
| 3 | 200002642 | Vijak | Schraube | Screw |
| 4 | 200000538 | Podložka | Unterlegscheibe | Washer |
| 5 | 200000536 | Podložka | Unterlegscheibe | Washer |
| 6 | 200000500 | Matica | Mutter | Nut |

19. Zaščita II / Schutz II / Protection II



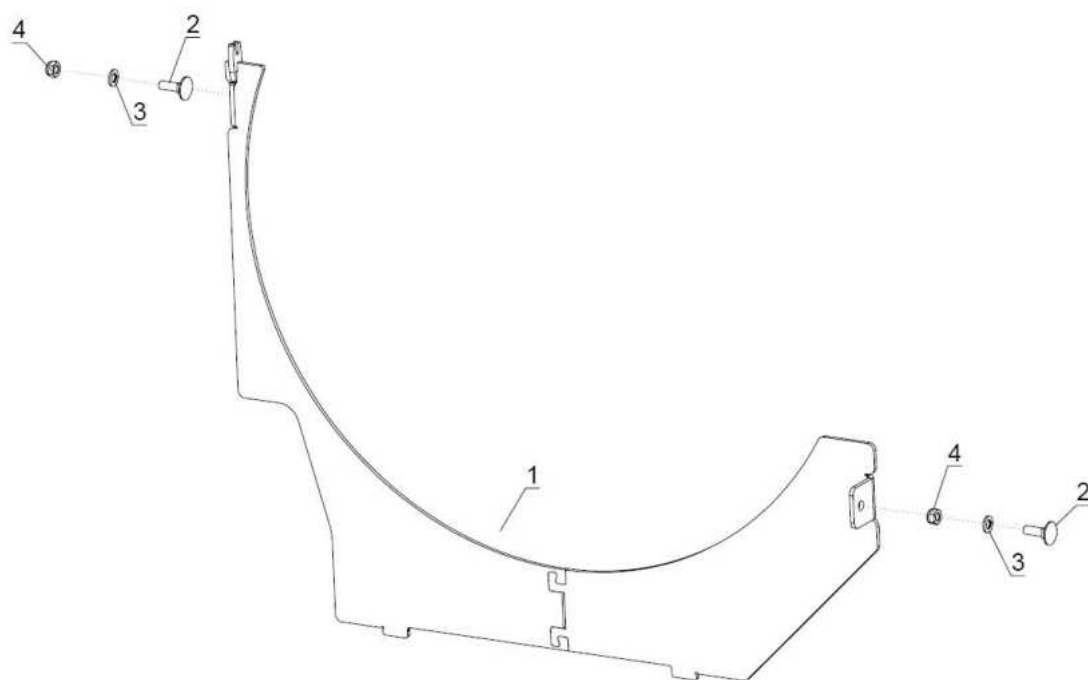
| 300018793 Zaščita II | | | Schutz II | Protection II |
|----------------------|------------|------------|-----------------|---------------|
| Poz. | Šifra/Code | Opis | DE | EN |
| 1 | 300025267 | Nosilec L | Träger L | Holder L |
| 2 | 300017572 | Podložka | Unterlegscheibe | Washer |
| 3 | 300025273 | Plošča L | Platte L | Plate L |
| 4 | 200000555 | Podložka | Unterlegscheibe | Washer |
| 5 | 200004158 | Matica | Mutter | Nut |
| 6 | 200000545 | Podložka | Unterlegscheibe | Washer |
| 7 | 200000506 | Matica | Mutter | Nut |
| 8 | 200000385 | Vijak | Schraube | Screw |
| 9 | 200009837 | Nosilec I | Träger I | Holder I |
| 10 | 200009838 | Nosilec II | Träger II | Holder II |
| 11 | 200000392 | Vijak | Schraube | Screw |
| 12 | 200000399 | Vijak | Schraube | Screw |

20. Zaščita III / Schutz III / Protection III



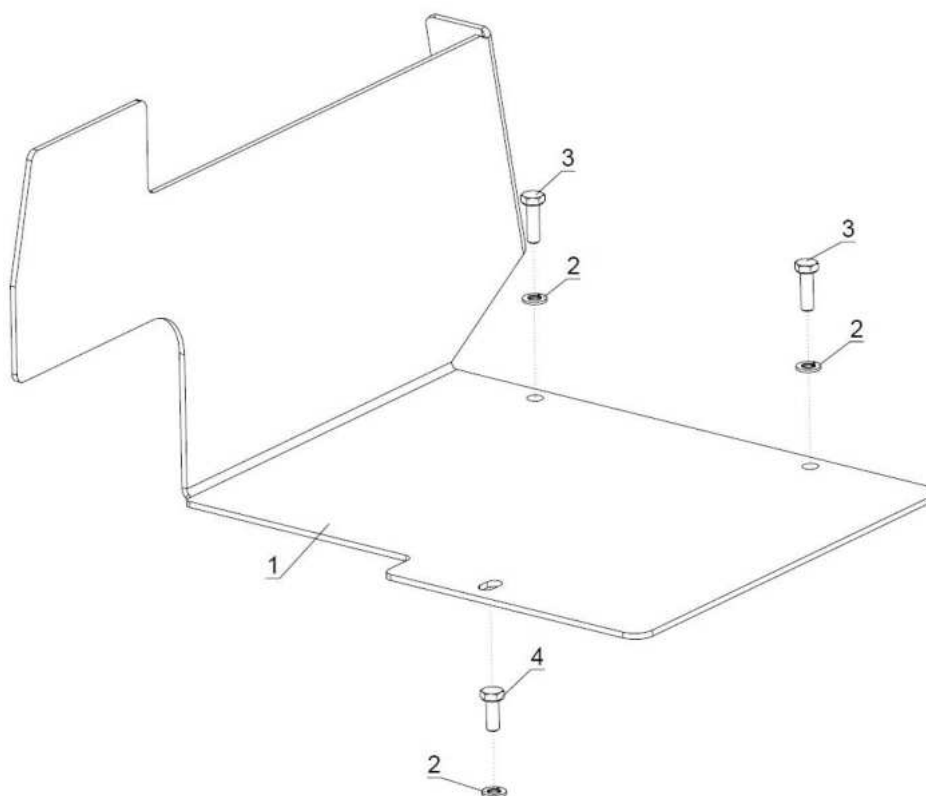
| 300018794 Zaščita III | | | Schutz III | Protection III |
|-----------------------|------------|----------|-----------------|----------------|
| Poz. | Šifra/Code | Opis | DE | EN |
| 1 | 300018785 | Zaščita | Schutz | Protection |
| 2 | 200000538 | Podložka | Unterlegscheibe | Washer |
| 3 | 200002642 | Vijak | Schraube | Screw |

21. Zaščita IV / Schutz IV / Protection IV



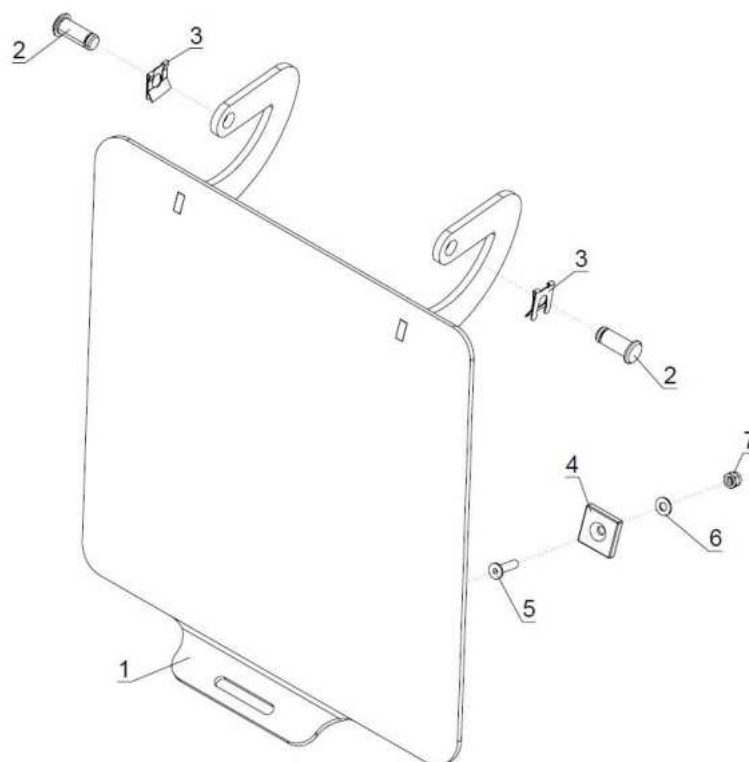
| 300018795 Zaščita IV | | | Schutz IV | Protection IV |
|----------------------|------------|----------|-----------------|---------------|
| Poz. | Šifra/Code | Opis | DE | EN |
| 1 | 300018789 | Zaščita | Schutz | Protection |
| 2 | 200002610 | Vijak | Schraube | Screw |
| 3 | 200000538 | Podložka | Unterlegscheibe | Washer |
| 4 | 200000500 | Matica | Mutter | Nut |

22. Zaščita rezervoarja / Tankschutz / Tank Protection



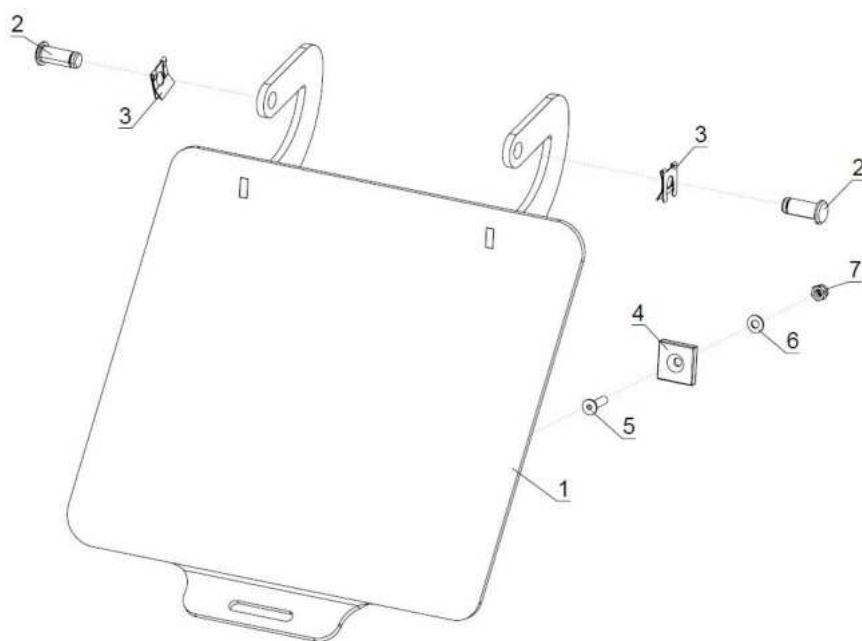
| 300018779 Zaščita rezervoarja | | | Tankschutz | Tank Protection |
|-------------------------------|------------|----------|-----------------|-----------------|
| Poz. | Šifra/Code | Opis | DE | EN |
| 1 | 300018778 | Zaščita | Schutz | Protection |
| 2 | 200000538 | Podložka | Unterlegscheibe | Washer |
| 3 | 200000348 | Vijak | Schraube | Screw |
| 4 | 200002642 | Vijak | Schraube | Screw |

23. Pokrov zaboja L / Kastendeckel L / Box Cover L



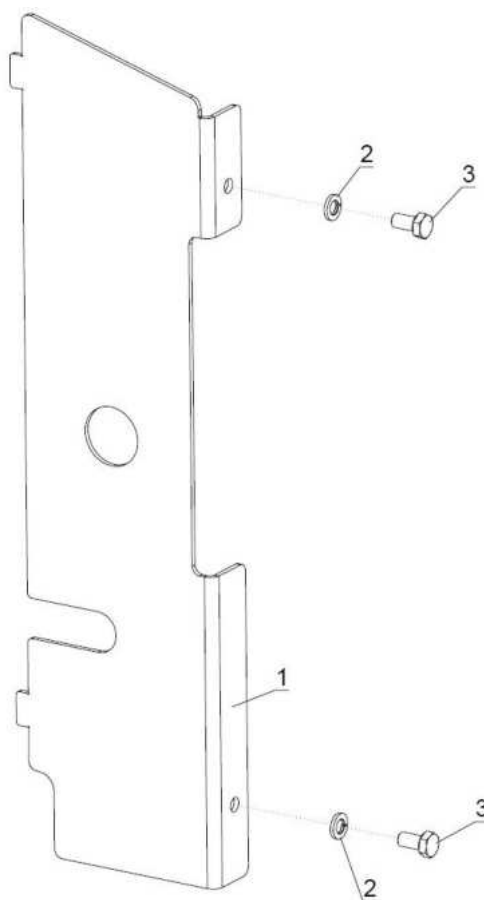
| 300018986 Pokrov zaboja L | | | Kastendeckel L | Box Cover L |
|---------------------------|------------|----------|-----------------|-------------|
| Poz. | Šifra/Code | Opis | DE | EN |
| 1 | 300018983 | Pokrov | Deckel | Cover |
| 2 | 200010078 | Sornik | Bolzen | Pin |
| 3 | 200010076 | Varovalo | Sicherung | Protection |
| 4 | 200009638 | Magnet | Magnet | Magnet |
| 5 | 200008733 | Vijak | Schraube | Screw |
| 6 | 200003185 | Podložka | Unterlegscheibe | Washer |
| 7 | 200004812 | Matica | Mutter | Nut |

24. Pokrov zaboja D / Kastendeckel R / Box Cover R



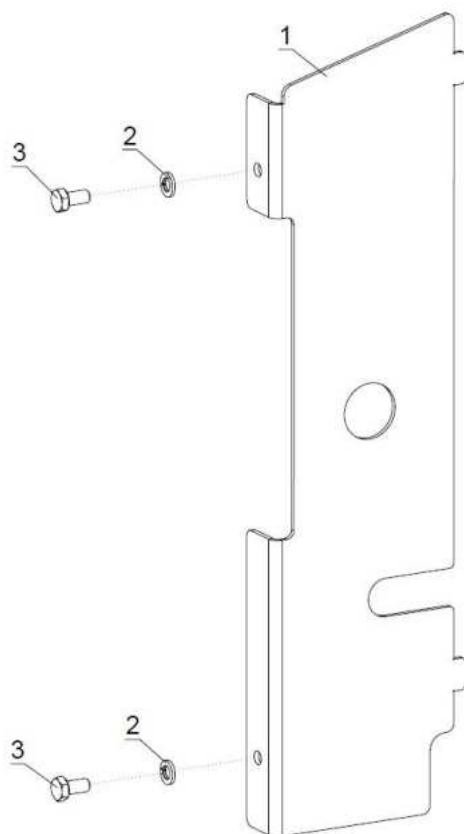
| 300018987 Pokrov zaboja D | | | Kastendeckel R | Box Cover R |
|---------------------------|------------|----------|-----------------|-------------|
| Poz. | Šifra/Code | Opis | DE | EN |
| 1 | 300018985 | Pokrov | Deckel | Cover |
| 2 | 200010078 | Sornik | Bolzen | Pin |
| 3 | 200010076 | Varovalo | Sicherung | Protection |
| 4 | 200009638 | Magnet | Magnet | Magnet |
| 5 | 200008733 | Vijak | Schraube | Screw |
| 6 | 200003185 | Podložka | Unterlegscheibe | Washer |
| 7 | 200004812 | Matica | Mutter | Nut |

25. Zaščita L / Schutz L / Protection L



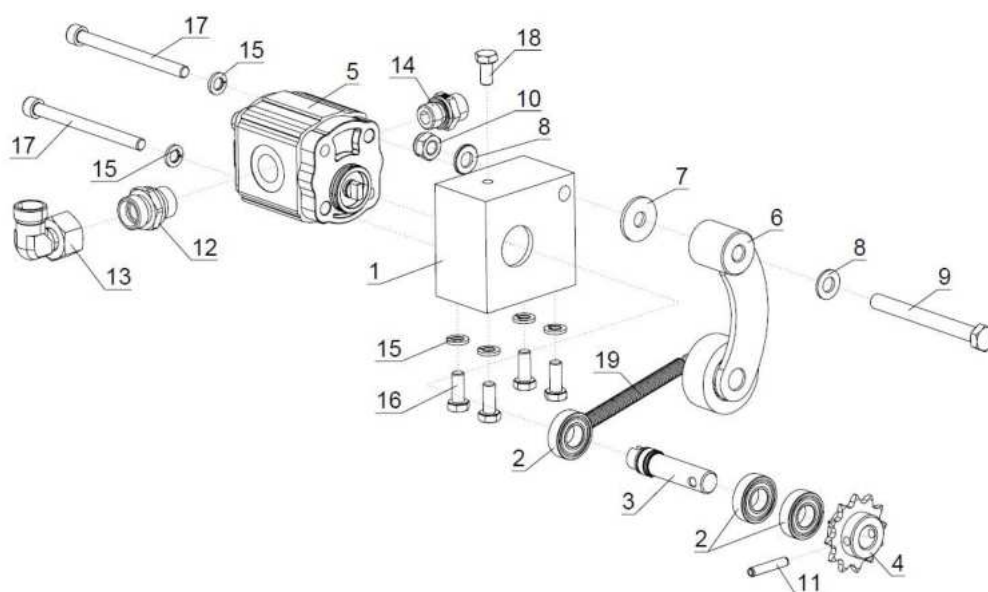
| 300018993 Zaščita L | | | Schutz L | Protection L |
|---------------------|------------|-----------|-----------------|--------------|
| Poz. | Šifra/Code | Opis | DE | EN |
| 1 | 300018992 | Zaščita L | Schutz L | Protection L |
| 2 | 200000539 | Podložka | Unterlegscheibe | Washer |
| 3 | 200000360 | Vijak | Schraube | Screw |

26. Zaščita D / Schutz R / Protection R



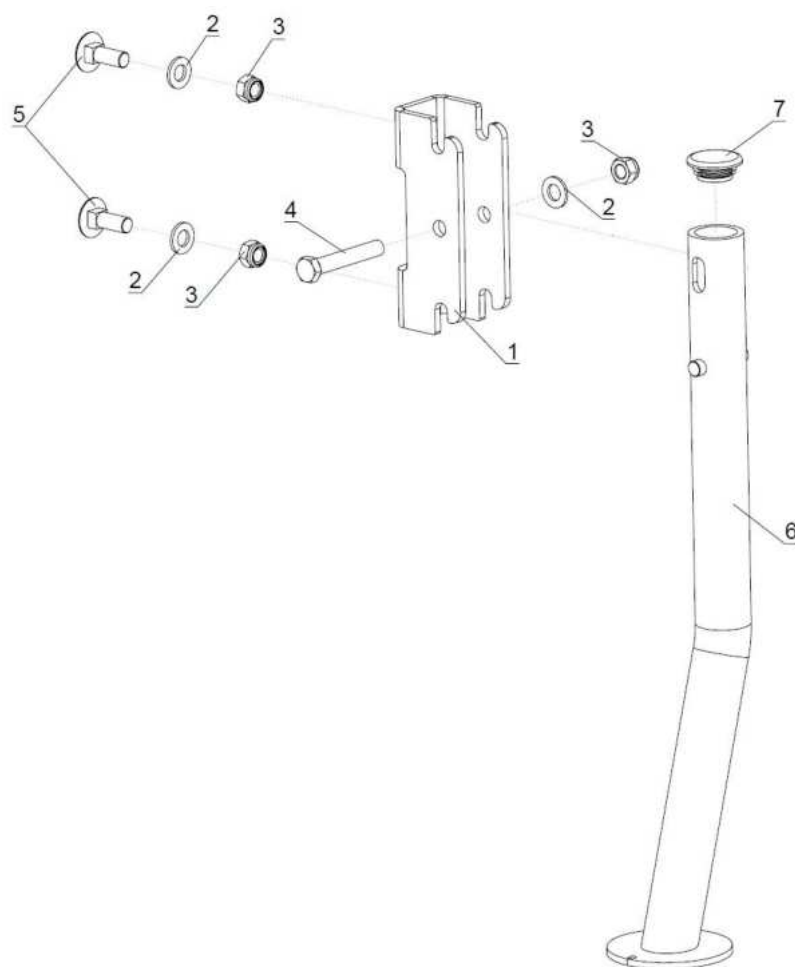
| 300018994 Zaščita D | | | Schutz R | Protection R |
|---------------------|------------|-----------|-----------------|--------------|
| Poz. | Šifra/Code | Opis | DE | EN |
| 1 | 300018990 | Zaščita D | Schutz R | Protection R |
| 2 | 200000539 | Podložka | Unterlegscheibe | Washer |
| 3 | 200000360 | Vijak | Schraube | Screw |

27. Črpalka / Pumpe / Pump



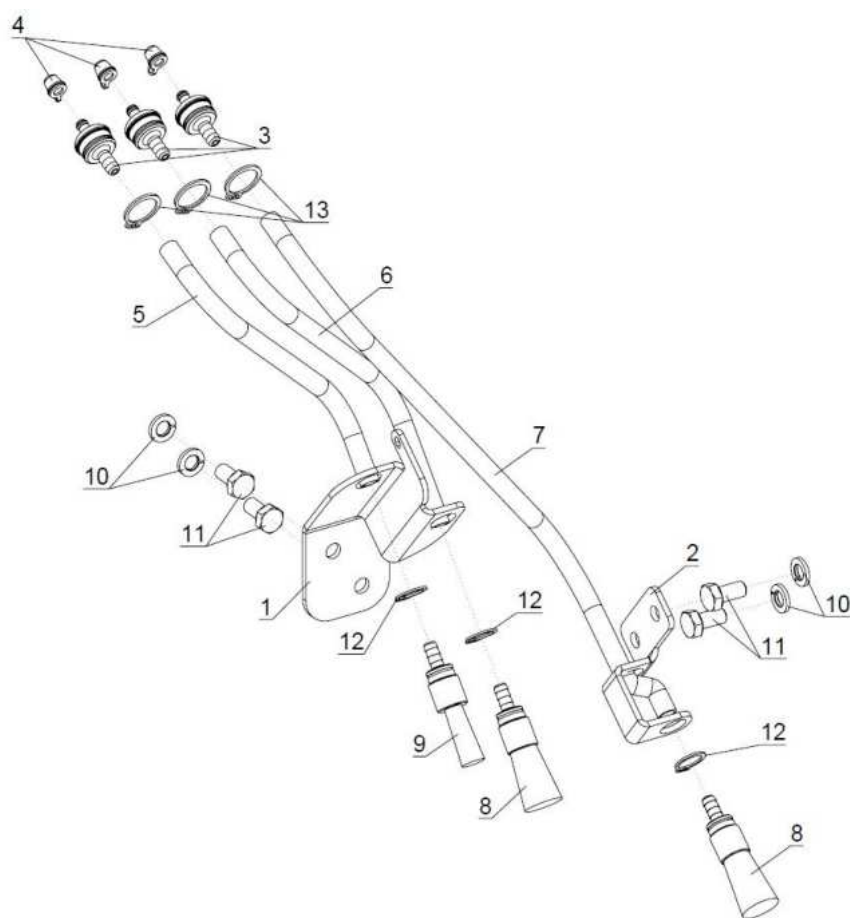
| 300017577 Črpalka | | | Pumpe | Pump |
|-------------------|------------|-------------|------------------------|--------------------------|
| Poz. | Šifra/Code | Opis | DE | EN |
| 1 | 300017507 | Blok | Block | Block |
| 2 | 200000007 | Ležaj | Lager | Bearing |
| 3 | 300017495 | Oš | Achse | Axle |
| 4 | 300009336 | Verižnik | Kettenrad | Chain Wheel |
| 5 | 200008855 | Črpalka | Pumpe | Pump |
| 6 | 300019951 | Napenjalec | Spanner | Tensioner |
| 7 | 200000546 | Podložka | Unterlegscheibe | Washer |
| 8 | 200000545 | Podložka | Unterlegscheibe | Washer |
| 9 | 200002016 | Vijak | Schraube | Screw |
| 10 | 200000506 | Matica | Mutter | Nut |
| 11 | 200000578 | Zatič | Stift | Pin |
| 12 | 200001639 | Dvovijačnik | Doppeltgewindekupplung | Double Threaded Coupling |
| 13 | 200004469 | Priključek | Anschluss | Coupling |
| 14 | 200005333 | Priključek | Anschluss | Coupling |
| 15 | 200000539 | Podložka | Unterlegscheibe | Washer |
| 16 | 200000361 | Vijak | Schraube | Screw |
| 17 | 200000354 | Vijak | Schraube | Screw |
| 18 | 200010333 | Vijak | Schraube | Screw |
| 19 | 200005171 | Vzmet | Feder | Spring |

28. Podporna noga / Stützfuß / Support Leg



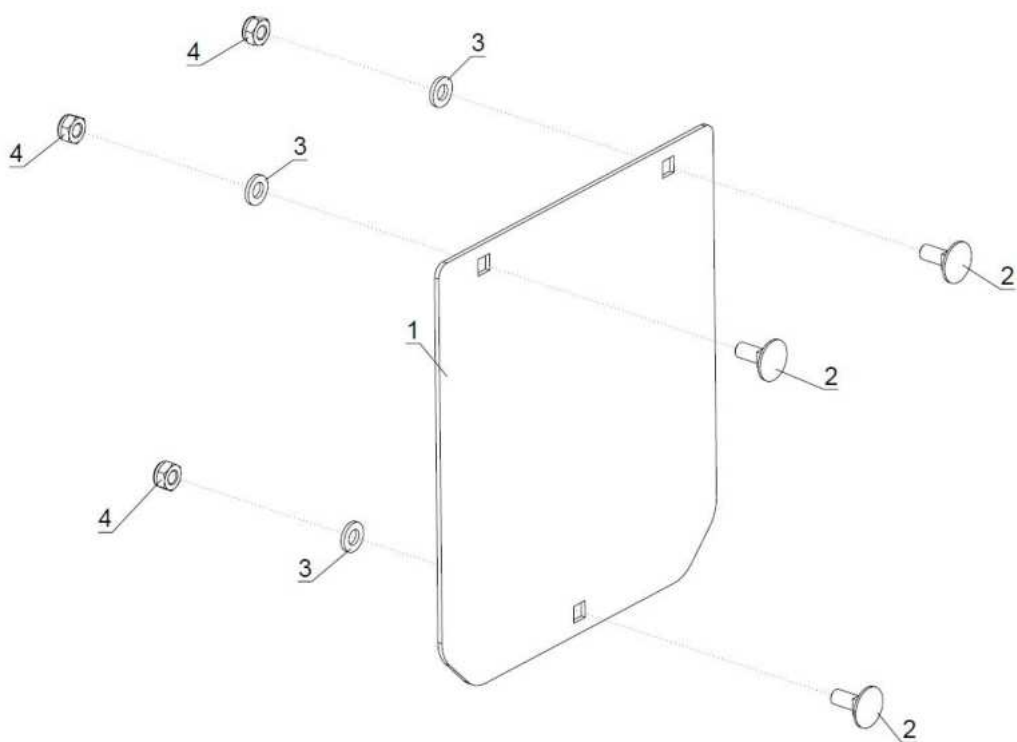
| 300018933 Podporna noga | | | Stützfuß | Support Leg |
|-------------------------|------------|---------------|-----------------|-------------|
| Poz. | Šifra/Code | Opis | DE | EN |
| 1 | 300017406 | Nosilec | Träger | Holder |
| 2 | 200000548 | Podložka | Unterlegscheibe | Washer |
| 3 | 200000510 | Matica | Mutter | Nut |
| 4 | 200000430 | Vijak | Schraube | Screw |
| 5 | 200000416 | Vijak | Schraube | Screw |
| 6 | 300018932 | Podporna noga | Stützfuß | Support Leg |
| 7 | 200010887 | Čep | Zapfen | Plug |

29. Mazalni sistem / Schmiersystem / Lubrication system



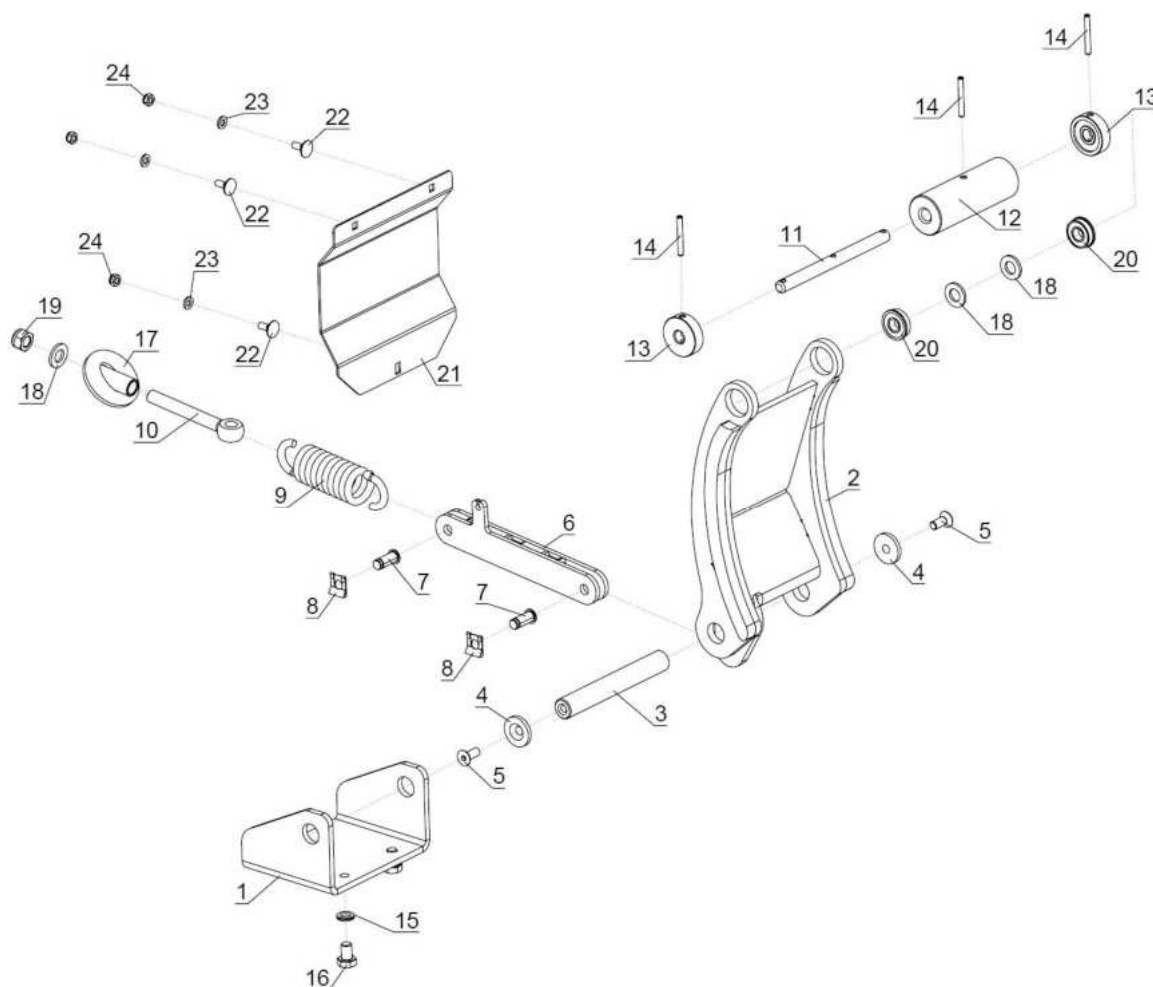
| 300018775 Mazalni sistem | | | Schmiersystem | Lubrication system |
|--------------------------|------------|---------------------|------------------------|-----------------------|
| Poz. | Šifra/Code | Opis | DE | EN |
| 1 | 300018584 | Nosilec | Träger | Holder |
| 2 | 300019599 | Nosilec | Träger | Holder |
| 3 | 300017493 | Sedež mazanja | Schmiersitz | Lubrication seat |
| 4 | 200012153 | Pokrov | Deckel | Cover |
| 5 | 200006165 | Mazalna cevka l=220 | Lubrication tube l=220 | Schmierschlauch l=220 |
| 6 | 200006165 | Mazalna cevka l=240 | Lubrication tube l=240 | Schmierschlauch l=240 |
| 7 | 200006165 | Mazalna cevka l=400 | Lubrication tube l=400 | Schmierschlauch l=400 |
| 8 | 200008960 | Mazalna ščetka | Schmierbürste | Lubrication brush |
| 9 | 200008961 | Mazalna ščetka | Schmierbürste | Lubrication brush |
| 10 | 200000539 | Podložka | Unterlegscheibe | Washer |
| 11 | 200000360 | Vijak | Schraube | Screw |
| 12 | 200006431 | Vskočnik | Sicherungsring | Circlip |
| 13 | 200005581 | Vskočnik | Sicherungsring | Circlip |

30. Zaščita V / Schutz V / Protection V



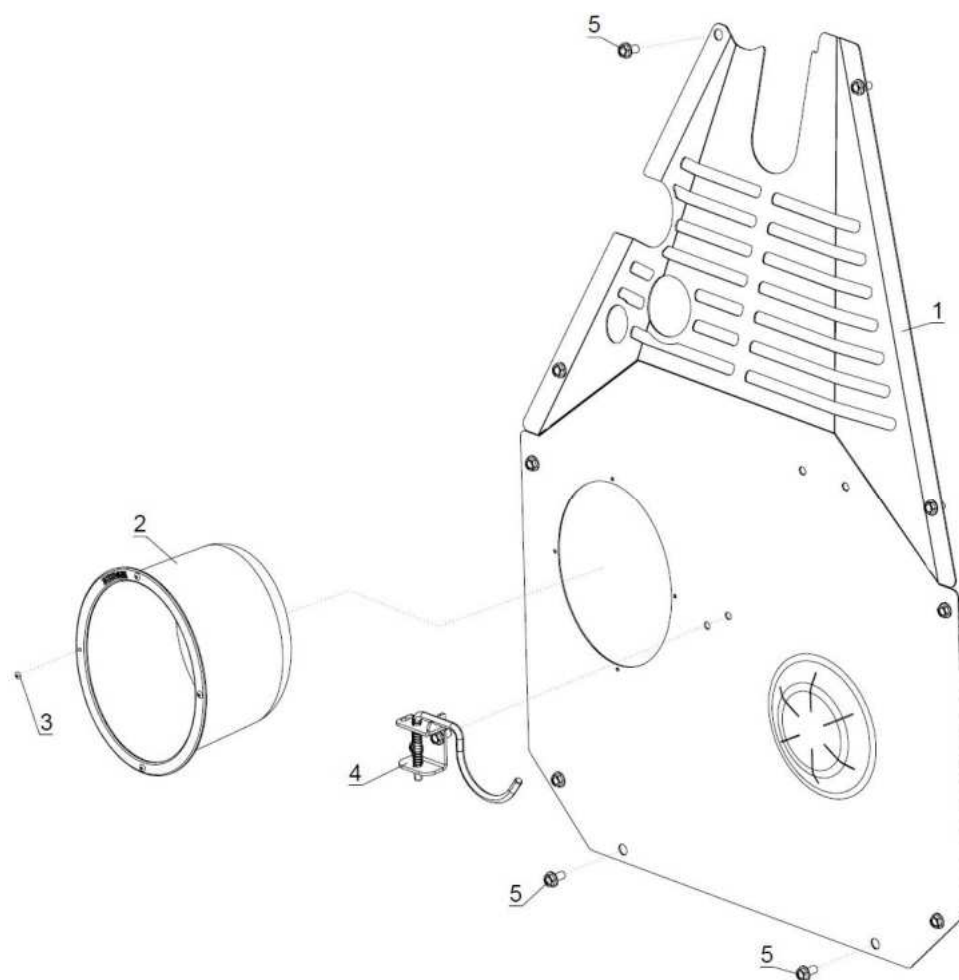
| 300021987 Zaščita V | | | Schutz V | Protection V |
|---------------------|------------|----------|-----------------|--------------|
| Poz. | Šifra/Code | Opis | DE | EN |
| 1 | 300021986 | Zaščita | Schutz | Protection |
| 2 | 200005135 | Vijak | Schraube | Screw |
| 3 | 200000536 | Podložka | Unterlegscheibe | Washer |
| 4 | 200000500 | Matica | Mutter | Nut |

31. Napenjalec žične vrvi / Seilspanner / Wire Rope Tightener



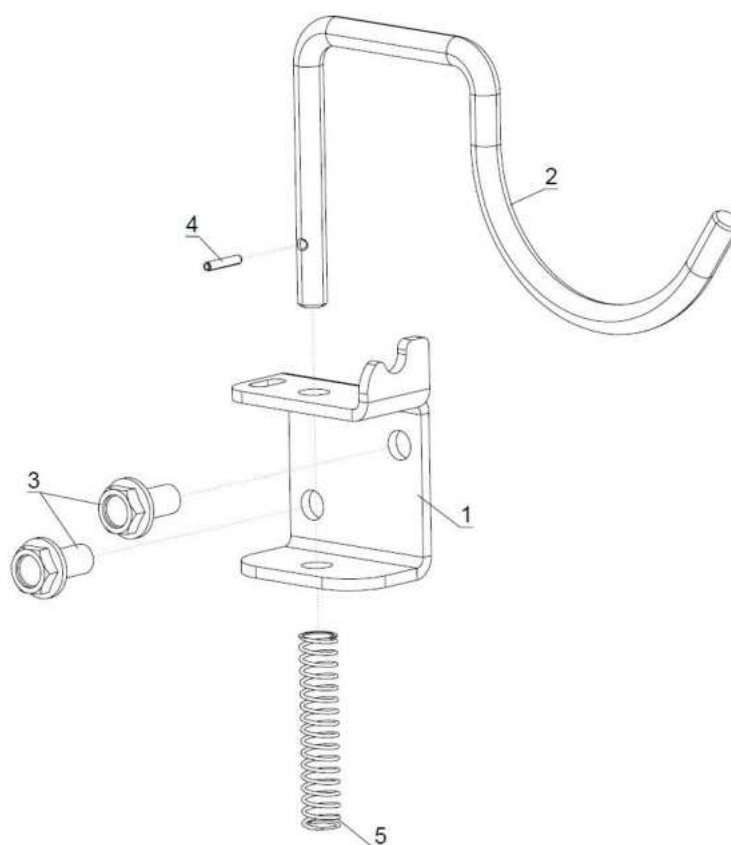
| 300019292 Napenjalec žične vrvi | | | Seilspanner | Wire Rope Tightener |
|---------------------------------|------------|------------|-----------------|---------------------|
| Poz. | Šifra/Code | Opis | DE | EN |
| 1 | 300019911 | Nosilec | Träger | Holder |
| 2 | 300019917 | Ohišje | Gehäuse | Housing |
| 3 | 300019912 | Os | Achse | Axle |
| 4 | 300019890 | Podložka | Unterlegscheibe | Washer |
| 5 | 200005555 | Vijak | Schraube | Screw |
| 6 | 300019909 | Distančnik | Abstandhalter | Spacer |
| 7 | 200008333 | Sornik | Bolzen | Pin |
| 8 | 200008334 | Varovalo | Sicherung | Protection |
| 9 | 200010230 | Vzmet | Feder | Spring |
| 10 | 200010200 | Vijak | Schraube | Screw |
| 11 | 300018765 | Os | Achse | Axle |
| 12 | 300018764 | Valjček | Walzen | Roller |
| 13 | 300021573 | Valjček | Walzen | Roller |
| 14 | 200002743 | Zatič | Stift | Pin |
| 15 | 200001851 | Podložka | Unterlegscheibe | Washer |
| 16 | 200009578 | Vijak | Schraube | Screw |
| 17 | 300019896 | Podložka | Unterlegscheibe | Washer |
| 18 | 200000548 | Podložka | Unterlegscheibe | Washer |
| 19 | 200000510 | Matica | Mutter | Nut |
| 20 | 200010684 | Ležaj | Lager | Bearing |
| 21 | 300021989 | Zaščita | Schutz | Protection |
| 22 | 200005135 | Vijak | Schraube | Screw |
| 23 | 200000536 | Podložka | Unterlegscheibe | Washer |
| 24 | 200000500 | Matica | Mutter | Nut |

32. Sprednja zaščita / Frontschutz / Front guard



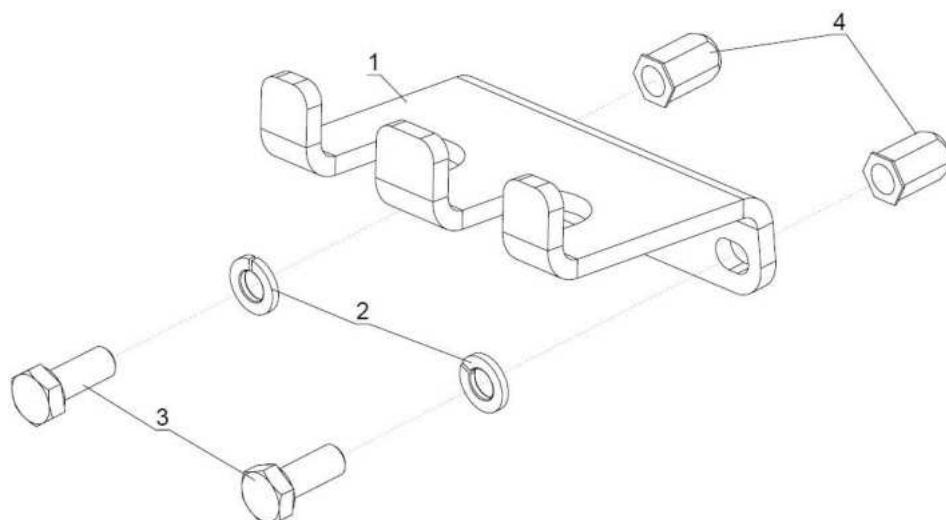
| 300018773 Sprednja zaščita | | | Frontschutz | Front guard |
|----------------------------|------------|-----------------|--------------|------------------|
| Poz. | Šifra/Code | Opis | DE | EN |
| 1 | 300018772 | Zaščita | Schutz | Protection |
| 2 | 200009836 | Zaščita | Schutz | Protection |
| 3 | 200005885 | Kovica | Niet | Rivet |
| 4 | 300024899 | Nosilec kardana | Kardanhalter | PTO shaft holder |
| 5 | 200009040 | Vijak | Schraube | Screw |

32.1 Nosilec kardana / Kardanhalter / PTO shaft holder



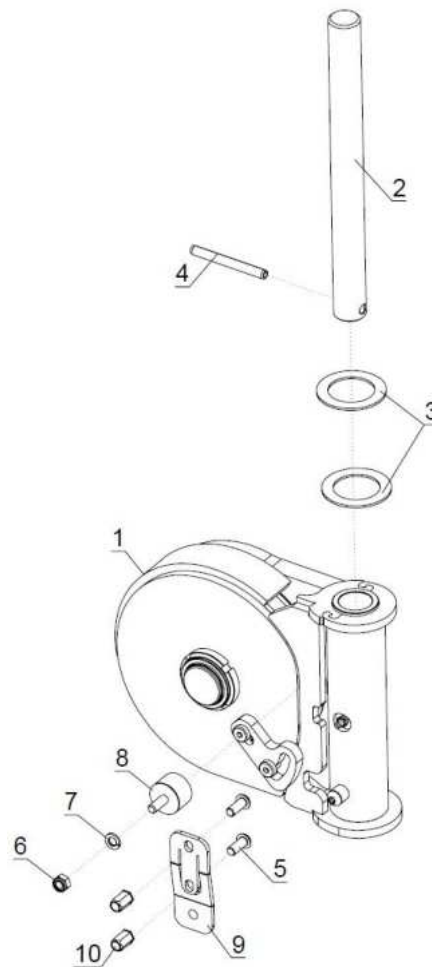
| 300024899 Nosilec kardana | | | Kardanhalter | PTO shaft holder |
|---------------------------|------------|---------|--------------|------------------|
| Poz. | Šifra/Code | Opis | DE | EN |
| 1 | 300024894 | Nosilec | Träger | Holder |
| 2 | 300024897 | Nosilec | Träger | Holder |
| 3 | 200009040 | Vijak | Schraube | Screw |
| 4 | 200000576 | Zatič | Stift | Pin |
| 5 | 200009811 | Vzmet | Feder | Spring |

33. Nosilec cevi / Rohrträger / Pipe Holder



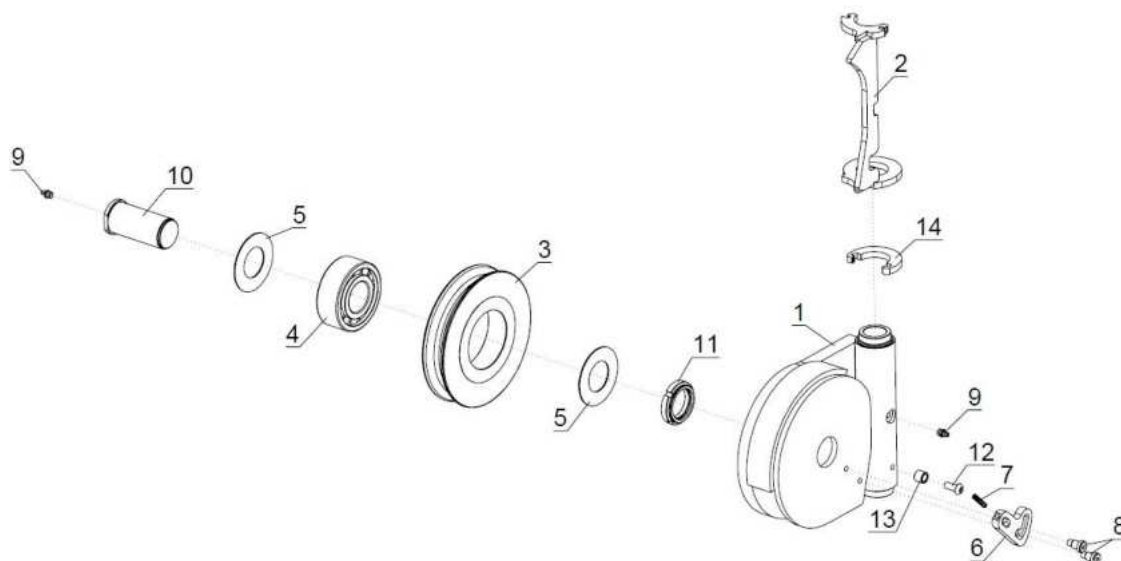
| 300019628 Nosilec cevi | | | Rohrträger | Pipe Holder |
|------------------------|------------|----------|-----------------|-------------|
| Poz. | Šifra/Code | Opis | DE | EN |
| 1 | 300004256 | Nosilec | Träger | Holder |
| 2 | 200000539 | Podložka | Unterlegscheibe | Washer |
| 3 | 200000361 | Vijak | Schraube | Screw |
| 4 | 200009100 | Matica | Mutter | Nut |

34. Spodnji škripec / Untere Umlenkrolle / Bottom winch pulley



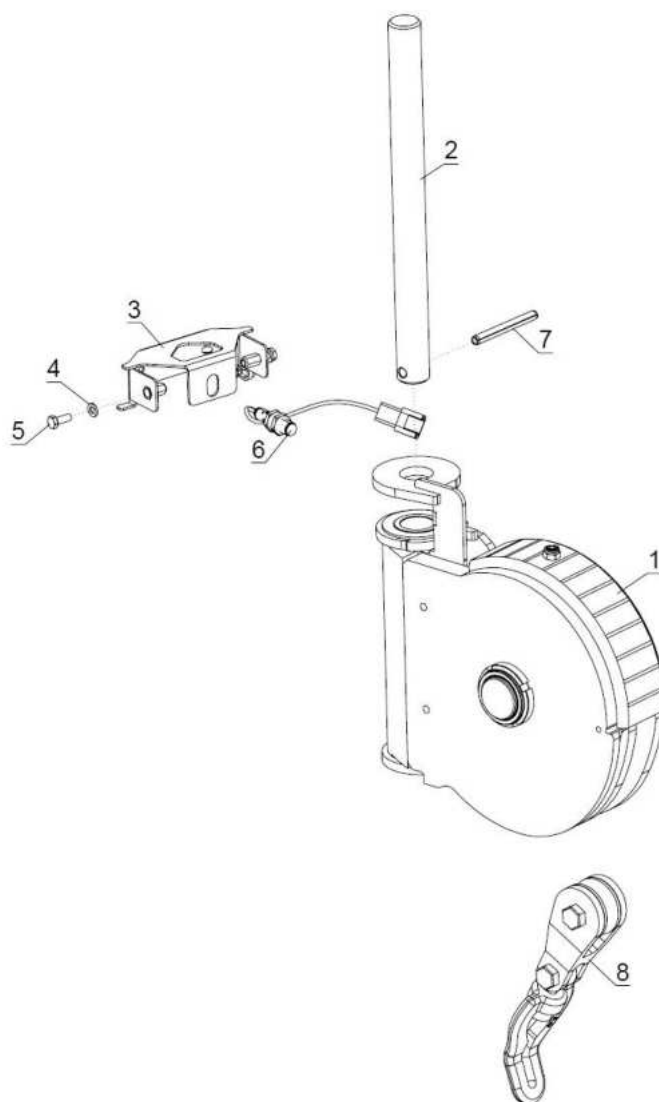
| 300025503 Spodnji škripec | | | Untere Umlenkrolle | Bottom winch pulley |
|---------------------------|------------|-------------------|----------------------|-----------------------|
| Poz. | Šifra/Code | Opis | DE | EN |
| 1 | 300025502 | Spodnji škripec I | Untere Umlenkrolle I | Bottom winch pulley I |
| 2 | 300018540 | Sornik | Bolzen | Pin |
| 3 | 300017412 | Podložka | Unterlegscheibe | Washer |
| 4 | 200009449 | Zatič | Stift | Pin |
| 5 | 200001800 | Vijak | Schraube | Screw |
| 6 | 200000503 | Matica | Mutter | Nut |
| 7 | 200000539 | Podložka | Unterlegscheibe | Washer |
| 8 | 200004382 | Blažilec | Stoßdämpfer | Shock Absorber |
| 9 | 300025520 | Varovalo | Sicherung | Protection |
| 10 | 200009100 | Matica | Mutter | Nut |

34.1 Spodnji škripec I / Untere Umlenkrolle I / Bottom winch pulley I



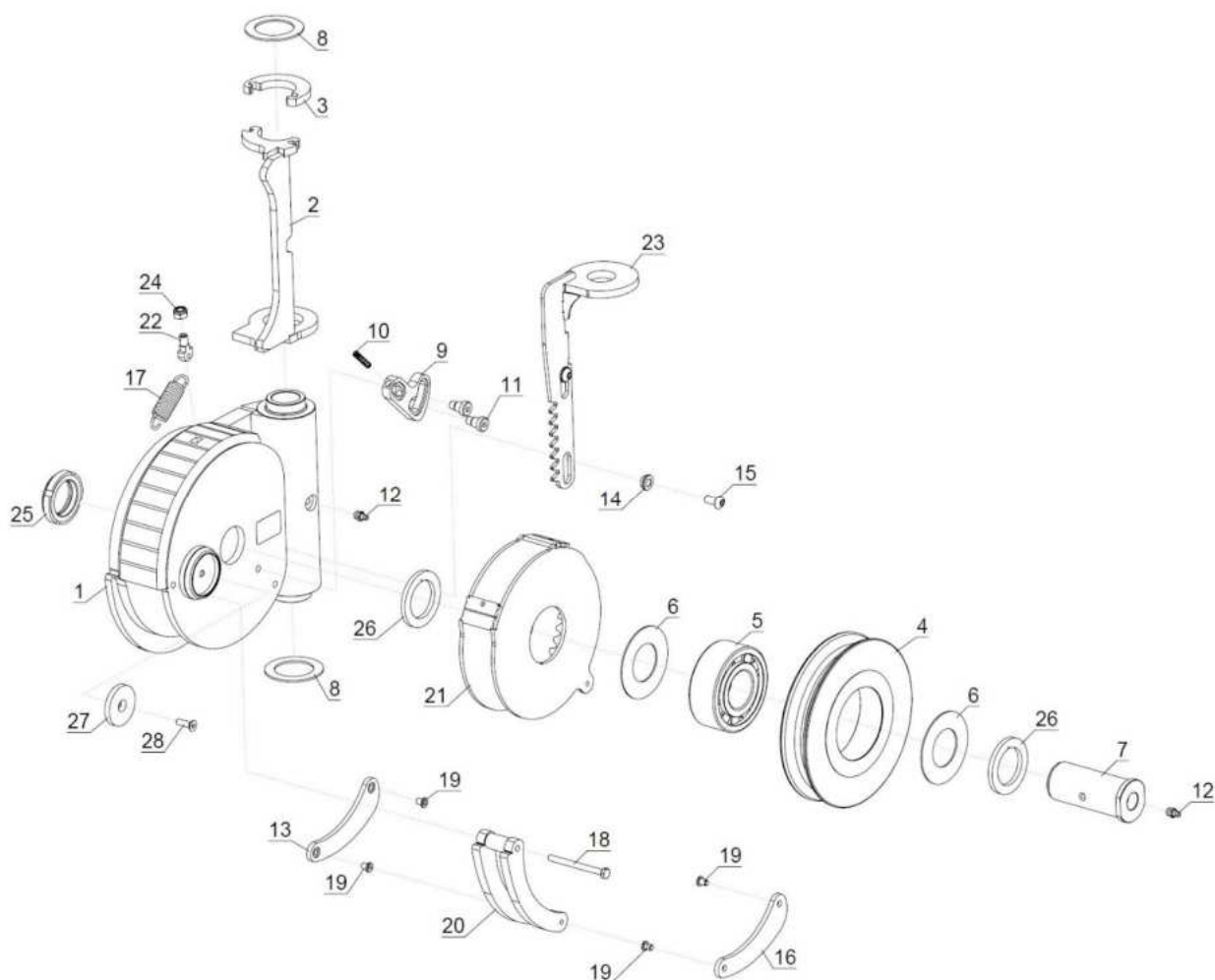
| 300025502 Spodnji škripec I | | | Untere Umlenkrolle I | Bottom winch pulley I |
|-----------------------------|------------|--------------------|----------------------|-----------------------|
| Poz. | Šifra/Code | Opis | DE | EN |
| 1 | 300025501 | Ohišje | Gehäuse | Housing |
| 2 | 300018539 | Zapiralo | Sperre | Stop |
| 3 | 300007641 | Vrvenica | Seilrolle | Sheave |
| 4 | 200000613 | Ležaj | Lager | Bearing |
| 5 | 800006785 | Podložka distančna | Distanzscheibe | Washer Spacer |
| 6 | 300017451 | Zapiralo | Sperre | Stop |
| 7 | 200009810 | Vzmet | Feder | Spring |
| 8 | 200009269 | Vijak | Schraube | Screw |
| 9 | 200000602 | Mazalka | Schmiernippel | Lubrication Nipple |
| 10 | 300023314 | Sornik | Bolzen | Pin |
| 11 | 200001588 | Matica | Mutter | Nut |
| 12 | 200001800 | Vijak | Schraube | Screw |
| 13 | 300025356 | Puša | Büchse | Bushing |
| 14 | 300022466 | Objemka | Klemme | Buckle |

35. Spodnji izkl. škripec / Untere Umlenkrolle mit STOP Schalter / Lower Pulley with STOP Switch



| 300023559 Spodnji izklopni škripec | | | Untere Umlenkrolle mit STOP Schalter | Lower Pulley with STOP Switch |
|------------------------------------|------------|----------------------------|-------------------------------------------|----------------------------------|
| Poz. | Šifra/Code | Opis | DE | EN |
| 1 | 300022513 | Spodnji izklopni škripec I | Untere Umlenkrolle mit STOP Schalter I | Lower Pulley with STOP Switch I |
| 2 | 300023494 | Sornik | Bolzen | Pin |
| 3 | 300023558 | Nosilec | Träger | Holder |
| 4 | 200000536 | Podložka | Unterlegscheibe | Washer |
| 5 | 200009066 | Vijak | Schraube | Screw |
| 6 | 300023933 | Kabelski set | Kabel set | Cable Set |
| 7 | 200009449 | Zatič | Stift | Pin |
| 8 | 200012522 | Drsnik | Führungsgleiter | Guide Slider |

35.1 Spodnji izkl. škripec I / Untere Umlenkrolle mit STOP Schalter I / Lower Pulley with STOP Switch I



| 300025513 Spodnji izklopni škripec I | | | Untere Umlenkrolle mit STOP Schalter I | Lower Pulley with STOP Switch I |
|--------------------------------------|------------|--------------------|----------------------------------------|---------------------------------|
| Poz. | Šifra/Code | Opis | DE | EN |
| 1 | 300022512 | Ohišje | Gehäuse | Housing |
| 2 | 300022507 | Zapiralo | Sperre | Stop |
| 3 | 300022466 | Objemka | Klemme | Buckle |
| 4 | 300007641 | Vrvenica | Seilrolle | Sheave |
| 5 | 200000613 | Ležaj | Lager | Bearing |
| 6 | 800006785 | Podložka distančna | Distanzscheibe | Washer Spacer |
| 7 | 300022501 | Sornik | Bolzen | Pin |
| 8 | 300017412 | Podložka | Unterlegscheibe | Washer |
| 9 | 300025508 | Zapiralo | Sperre | Stop |
| 10 | 200009810 | Vzmet | Feder | Spring |
| 11 | 200012242 | Vijak | Schraube | Screw |
| 12 | 200000602 | Mazalka | Schmiernippel | Lubrication Nipple |
| 13 | 300022487 | Vodilo | Führung | Guide |
| 14 | 200011006 | Puša | Büchse | Bushing |
| 15 | 200006097 | Vijak | Schraube | Screw |
| 16 | 300022489 | Vodilo | Führung | Guide |
| 17 | 200011715 | Vzmet | Feder | Spring |
| 18 | 200001684 | Vijak | Schraube | Screw |
| 19 | 200008448 | Vijak | Schraube | Screw |
| 20 | 300025601 | Vilice | Gabel | Fork |

| | | | | |
|----|-----------|----------------|-----------------------|---------------------|
| 21 | 300022509 | Ohišje izklopa | STOP Schalter Gehäuse | STOP Switch Housing |
| 22 | 300022499 | Držalo | Halterung | Holder |
| 23 | 300022505 | Izklopna letev | Ausschaltleiste | Shut-off Lathe |
| 24 | 200000503 | Matica | Mutter | Nut |
| 25 | 200001588 | Matica | Mutter | Nut |
| 26 | 300022490 | Podložka | Unterlegscheibe | Washer |
| 27 | 200012276 | Magnet | Magnet | Magnet |
| 28 | 200002935 | Vijak | Schraube | Screw |