

LISTA REZERVNIH DELOV / LISTE DER ERSATZTEILE / SPARE PARTS LIST – Vitel/Winde/Winch KRPAN 4EP

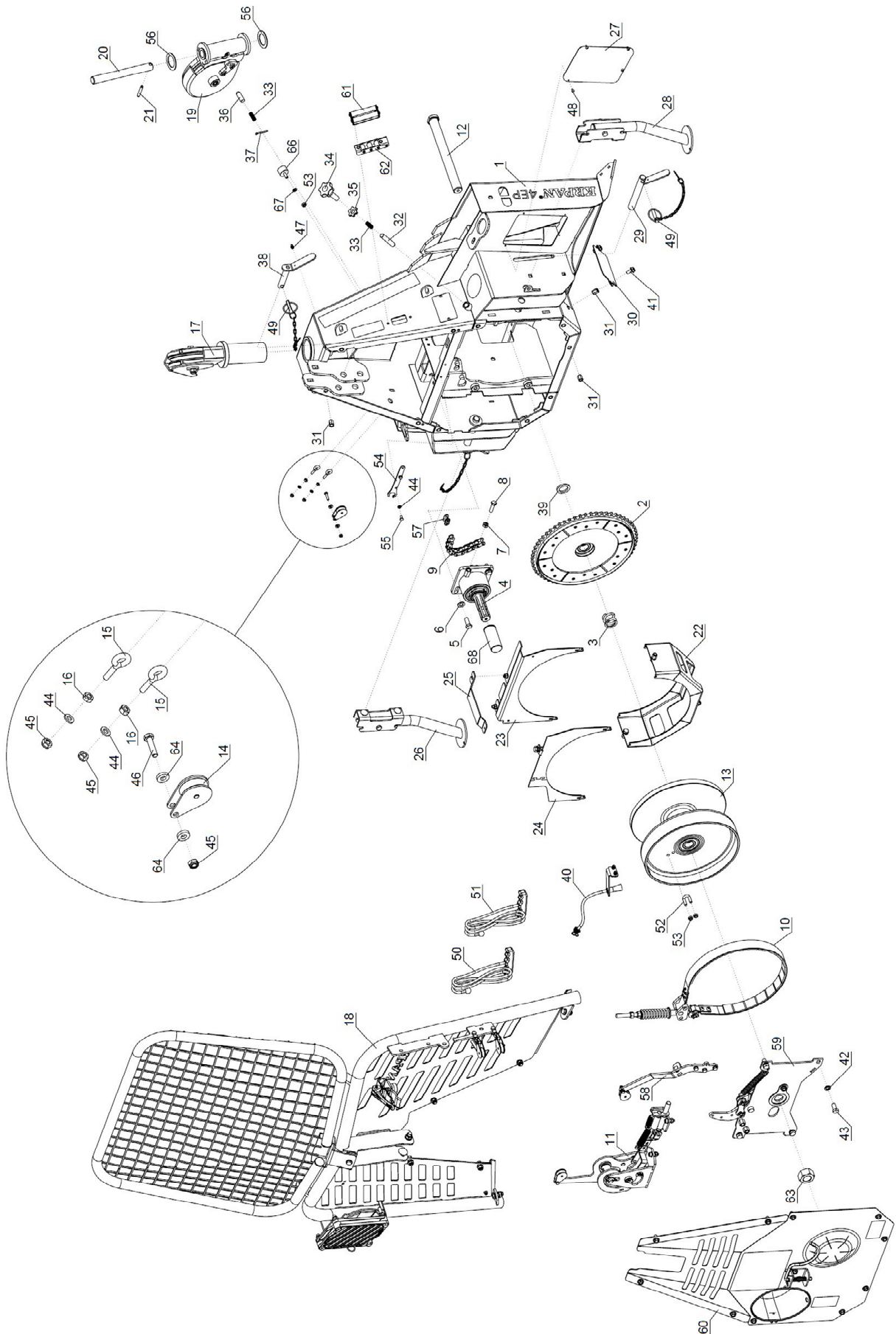
Ser.: VM01100015 →

Info: <http://www.vitli-krpan.com/>

Vsebina / Inhalt / Contents

| | |
|---|----|
| 1. Vitel / Winde / Winch 4EP | 2 |
| 1. Verižnik / Kettenrad / Chain Wheel | 4 |
| 2. Kardanska gred / Kardanwelle / PTO Shaft | 5 |
| 3. Zavorni pas / Bremsband / Brake Belt | 6 |
| 4. Mehanizem zavore / Bremsmechanismus / Brake Mechanism | 7 |
| 4.1 Avtomat / Automat / Machine | 8 |
| 5. Boben / Trommel / Drum | 9 |
| 6. Zgornji škripec / Obere umlenkrolle / Upper winch pulley | 10 |
| 7. Zaščitna mreža / Schutzgitter / Safety Guard | 11 |
| 7.1 Nosilec motorne žage D / Motorsägehalterung R / Chainsaw Holder R | 12 |
| 7.2 Nosilec kanistra / Kanisterhalter / Canister holder | 13 |
| 8. Spodnji škripec / Untere Umlenkrolle / Bottom winch pulley | 14 |
| 9. Zaščita I / Schutz I / Protection I | 15 |
| 10. Zaščita II / Schutz II / Protection II | 16 |
| 11. Zaščita III / Schutz III / Protection III | 17 |
| 12. Podporna noga / Stützfuß / Support Leg | 18 |
| 13. Mazalni sistem / Schmiersystem / Lubrication system | 19 |
| 14. Vzvod sklopke / Kupplungshebel / Clutch lever | 20 |
| 15. Vzvodovje sklopke / Kupplungsmechanismus / Clutch mechanism | 21 |
| 16. Sprednja zaščita / Frontschutz / Front guard | 22 |
| 16.1 Nosilec kardana / Kardanhalter / PTO shaft holder | 23 |
| 17. Škripec I / Windenrolle I / Winch pulley I | 24 |
| 18. Škripec II / Windenrolle II / Winch pulley II | 25 |

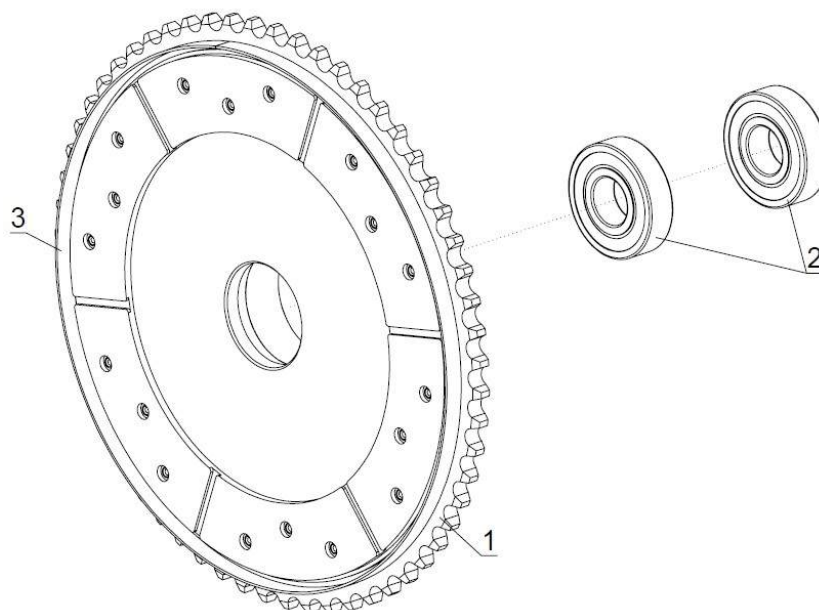
1. Vitel / Winde / Winch 4EP



| 300019929 Vitel 4EP | | | Winde 4EP | Winch 4EP |
|---------------------|------------|-------------------|----------------------|---------------------|
| Poz. | Šifra/Code | Opis | DE | EN |
| 1 | 300019750 | Ohišje | Gehäuse | Housing |
| 2 | 300019879 | Verižnik | Kettenrad | Chain wheel |
| 3 | 200000107 | Vzmet | Feder | Spring |
| 4 | 300019821 | Kardanska gred | Kardanwelle | PTO Shaft |
| 5 | 200000415 | Vijak | Schraube | Screw |
| 6 | 200000548 | Podložka | Unterlegscheibe | Washer |
| 7 | 200000505 | Matica | Mutter | Nut |
| 8 | 200001455 | Vijak | Schraube | Screw |
| 9 | 200010805 | Veriga | Kette | Chain |
| 10 | 300019761 | Zavorni pas | Bremsband | Brake Belt |
| 11 | 300019825 | Mehanizem zavore | Bremsmechanismus | Brake Mechanism |
| 12 | 300018728 | Os | Achse | Axle |
| 13 | 300019858 | Boben | Trommel | Drum |
| 14 | 200009815 | Škripec | Windenrolle | Winch pulley |
| 15 | 200008995 | Vijak | Schraube | Screw |
| 16 | 200000499 | Matica | Mutter | Nut |
| 17 | 300018274 | Zgornji škripec | Obere umlenkrolle | Upper winch pulley |
| 18 | 300019833 | Zaščitna mreža | Schutzgitter | Safety Guard |
| 19 | 300017559 | Spodnji škripec | Untere Umlenkrolle | Bottom winch pulley |
| 20 | 300017486 | Sornik | Bolzen | Pin |
| 21 | 200000583 | Zatič | Stift | Pin |
| 22 | 300020137 | Zaščita I | Schutz I | Protection I |
| 23 | 300020135 | Zaščita II | Schutz II | Protection II |
| 24 | 300020136 | Zaščita III | Schutz III | Protection III |
| 25 | 300019781 | Zaščita | Schutz | Protection |
| 26 | 300019779 | Podporna noga | Stützfuss | Support Leg |
| 27 | 300019768 | Pokrov | Deckel | Cover |
| 28 | 300019779 | Podporna noga | Stützfuss | Support Leg |
| 29 | 300006831 | Sornik | Bolzen | Pin |
| 30 | 300017407 | Pokrov | Deckel | Cover |
| 31 | 200009102 | Matica | Mutter | Nut |
| 32 | 300017491 | Sornik | Bolzen | Pin |
| 33 | 200009639 | Vzmet | Feder | Spring |
| 34 | 200009615 | Vijak | Schraube | Screw |
| 35 | 300008593 | Matica | Mutter | Nut |
| 36 | 300017487 | Sornik | Bolzen | Pin |
| 37 | 200002574 | Razcepka | Splinte | Cotter Pin |
| 38 | 300006813 | Sornik | Bolzen | Pin |
| 39 | 300019760 | Distančnik | Abstandhalter | Spacer |
| 40 | 300019763 | Mazalni sistem | Schmiersystem | Lubrication system |
| 41 | 200009040 | Vijak | Schraube | Screw |
| 42 | 200003777 | Podložka | Unterlegscheibe | Washer |
| 43 | 200000413 | Vijak | Schraube | Screw |
| 44 | 200000536 | Podložka | Unterlegscheibe | Washer |
| 45 | 200000500 | Matica | Mutter | Nut |
| 46 | 200003600 | Vijak | Schraube | Screw |
| 47 | 200000602 | Mazalka | Schmiernippel | Lubrication Nipple |
| 48 | 200000571 | Kovica | Niet | Rivet |
| 49 | 200001045 | Zatič | Stift | Pin |
| 50 | 300018266 | Vrv rdeča | Rote Schnur | Red cord |
| 51 | 300018267 | Vrv siva | Graue Schnur | Gray cord |
| 52 | 200002832 | Objemka | Klemme | Buckle |
| 53 | 200000503 | Matica | Mutter | Nut |
| 54 | 300018217 | Ključ | Schlüssel | Wrench |
| 55 | 200002627 | Vijak | Schraube | Screw |
| 56 | 300017412 | Podložka | Unterlegscheibe | Washer |
| 57 | 200010808 | Spojni člen | Verbindungsglied | Connecting Link |
| 58 | 300019928 | Vzvod sklopke | Kupplungshebel | Clutch lever |
| 59 | 300019840 | Vzvodovje sklopke | Kupplungsmechanismus | Clutch mechanism |

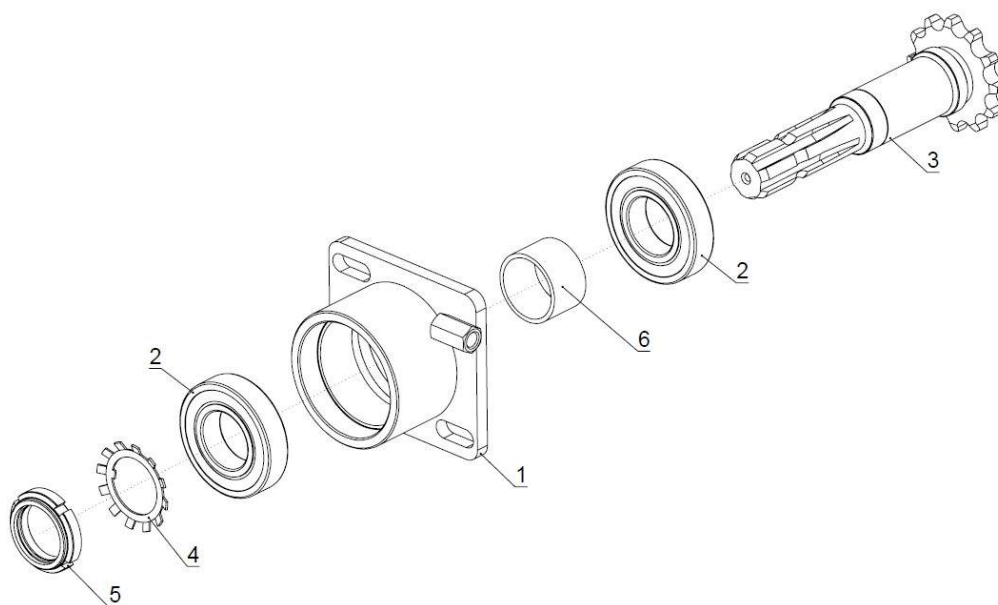
| | | | | |
|----|-----------|------------------|-----------------|----------------------|
| 60 | 300019767 | Sprednja zaščita | Frontschutz | Front guard |
| 61 | 300018265 | Škripec I | Windenrolle I | Winch pulley I |
| 62 | 300019834 | Škripec II | Windenrolle II | Winch pulley II |
| 63 | 200002177 | Matica | Mutter | Nut |
| 64 | 300019551 | Podložka | Unterlegscheibe | Washer |
| 65 | 200010469 | Tipška tablica | Typenschild | Identification plate |
| 66 | 200004382 | Blažilec | Stoßdämpfer | Shock Absorber |
| 67 | 200000539 | Podložka | Unterlegscheibe | Washer |
| 68 | 200000041 | Zaščita | Schutz | Protection |

1. Verižnik / Kettenrad / Chain Wheel



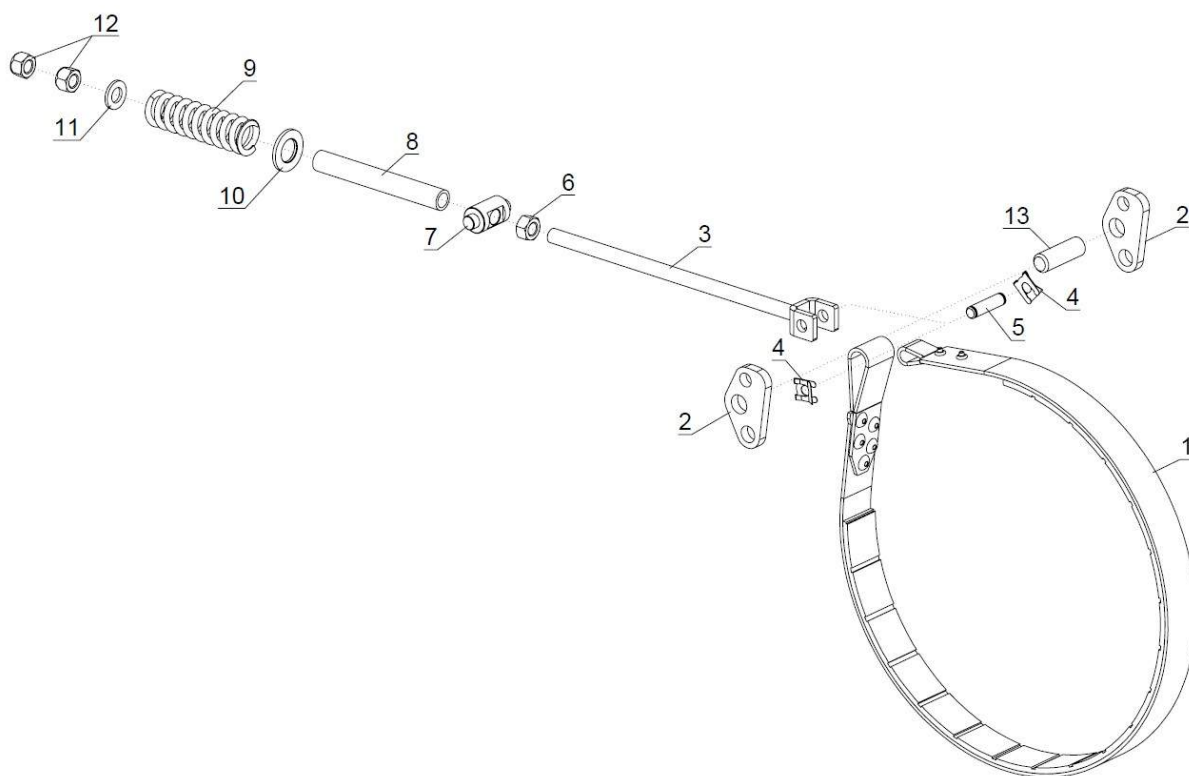
| 300019879 Verižnik | | | Kettenrad | Chain Wheel |
|--------------------|------------|----------|-----------|-------------|
| Poz. | Šifra/Code | Opis | DE | EN |
| 1 | 300006877 | Verižnik | Kettenrad | Chain Wheel |
| 2 | 200000010 | Ležaj | Lager | Bearing |
| 3 | 300019878 | Pasek | Gürtel | Belt |

2. Kardanska gred / Kardanwelle / PTO Shaft



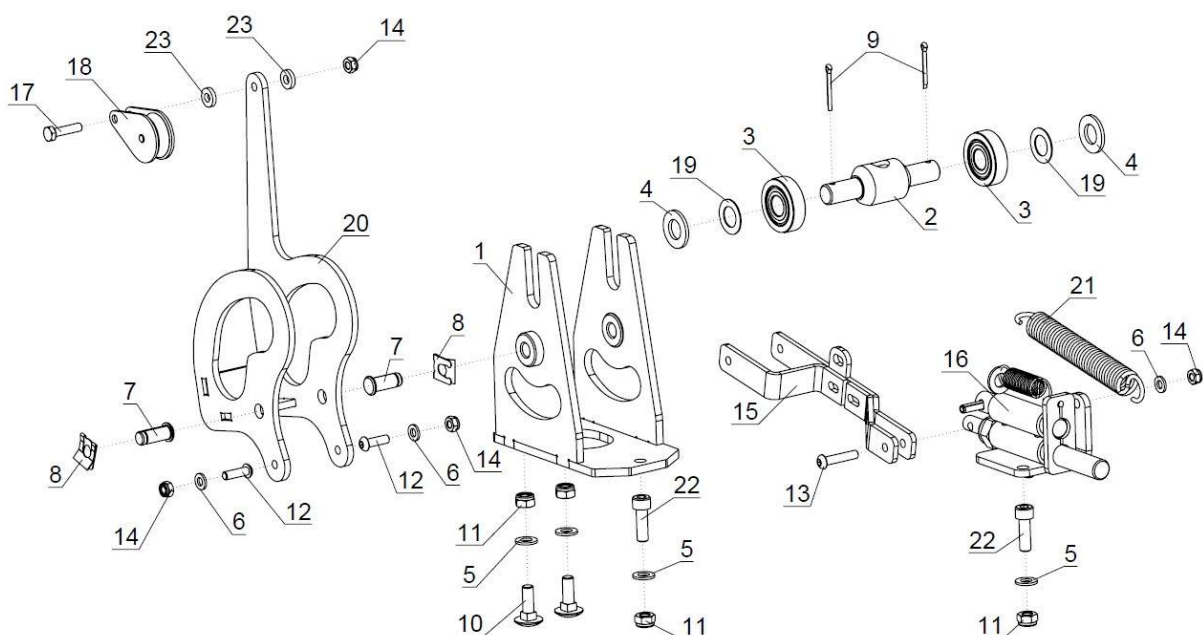
| 300019821 Kardanska gred | | | Kardanwelle | PTO Shaft |
|--------------------------|------------|----------------|-----------------|-----------|
| Poz. | Šifra/Code | Opis | DE | EN |
| 1 | 300019824 | Ohišje | Gehäuse | Housing |
| 2 | 200000009 | Ležaj | Lager | Bearing |
| 3 | 300019818 | Kardanska gred | Kardanwelle | PTO Shaft |
| 4 | 200000006 | Podložka | Unterlegscheibe | Washer |
| 5 | 200001588 | Matica | Mutter | Nut |
| 6 | 300019819 | Distančnik | Abstandhalter | Spacer |

3. Zavorni pas / Bremsband / Brake Belt



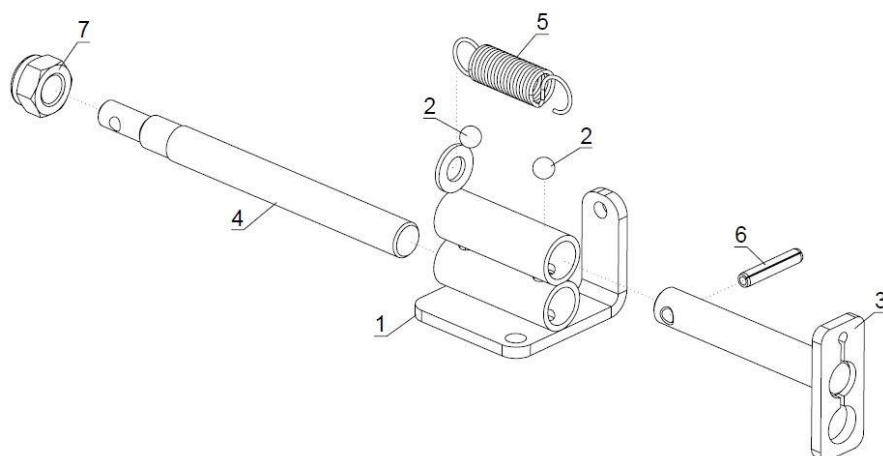
| 300019761 Zavorni pas | | | Bremsband | Brake Belt |
|-----------------------|------------|------------------|---------------------|-----------------------------|
| Poz. | Šifra/Code | Opis | DE | EN |
| 1 | 300019402 | Zavorni pas | Bremsband | Brake Belt |
| 2 | 300017436 | Ekscenter | Exzenter | Excentre |
| 3 | 300006920 | Zategovalec pasa | Gurtstraffer Gesch. | Brake Band Tensioner Welded |
| 4 | 200008334 | Varovalo | Sicherung | Protection |
| 5 | 300017492 | Sornik | Bolzen | Pin |
| 6 | 200000509 | Matica | Mutter | Nut |
| 7 | 300018153 | Kolenc | Bügel | Ratchet |
| 8 | 300011188 | Cev | Rohr | Pipe |
| 9 | 200000721 | Vzmet | Feder | Spring |
| 10 | 300006912 | Podložka | Unterlegscheibe | Washer |
| 11 | 200000548 | Podložka | Unterlegscheibe | Washer |
| 12 | 200001309 | Matica | Mutter | Nut |
| 13 | 300006938 | Zatič | Stift | Pin |

4. Mehanizem zavore / Bremsmechanismus / Brake Mechanism



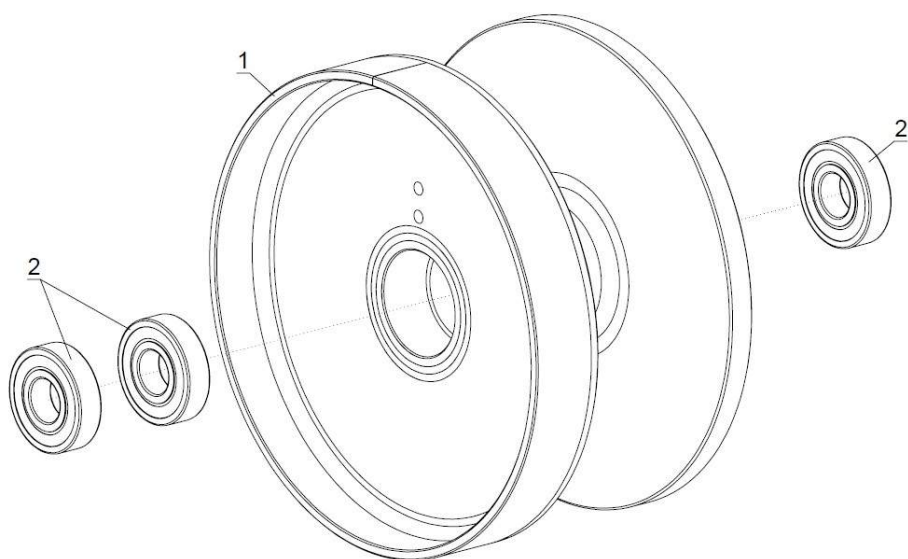
| 300019825 Mehanizem zavore | | | Bremsmechanismus | Brake Mechanism |
|----------------------------|------------|----------|------------------|-----------------|
| Poz. | Šifra/Code | Opis | DE | EN |
| 1 | 300018256 | Ohišje | Gehäuse | Housing |
| 2 | 300018206 | Kolenc | Bügel | Ratchet |
| 3 | 200002103 | Ležaj | Lager | Bearing |
| 4 | 200000552 | Podložka | Unterlegscheibe | Washer |
| 5 | 200000540 | Podložka | Unterlegscheibe | Washer |
| 6 | 200000536 | Podložka | Unterlegscheibe | Washer |
| 7 | 200008333 | Sornik | Bolzen | Pin |
| 8 | 200008334 | Varovalo | Sicherung | Protection |
| 9 | 200002302 | Razcepka | Splinte | Cotter Pin |
| 10 | 200002234 | Vijak | Schraube | Screw |
| 11 | 200000503 | Matica | Mutter | Nut |
| 12 | 200002227 | Vijak | Schraube | Screw |
| 13 | 200001799 | Vijak | Schraube | Screw |
| 14 | 200000500 | Matica | Mutter | Nut |
| 15 | 300019814 | Povezava | Verbindung | Connection |
| 16 | 300018260 | Avtomat | Automat | Machine |
| 17 | 200003600 | Vijak | Schraube | Screw |
| 18 | 200009815 | Škripec | Windenrolle | Winch pulley |
| 19 | 300019550 | Podložka | Unterlegscheibe | Washer |
| 20 | 300019810 | Vzvod | Hebel | Lever |
| 21 | 200000080 | Vzmet | Feder | Spring |
| 22 | 200000363 | Vijak | Schraube | Screw |
| 23 | 300019551 | Podložka | Unterlegscheibe | Washer |

4.1 Avtomat / Automat / Machine



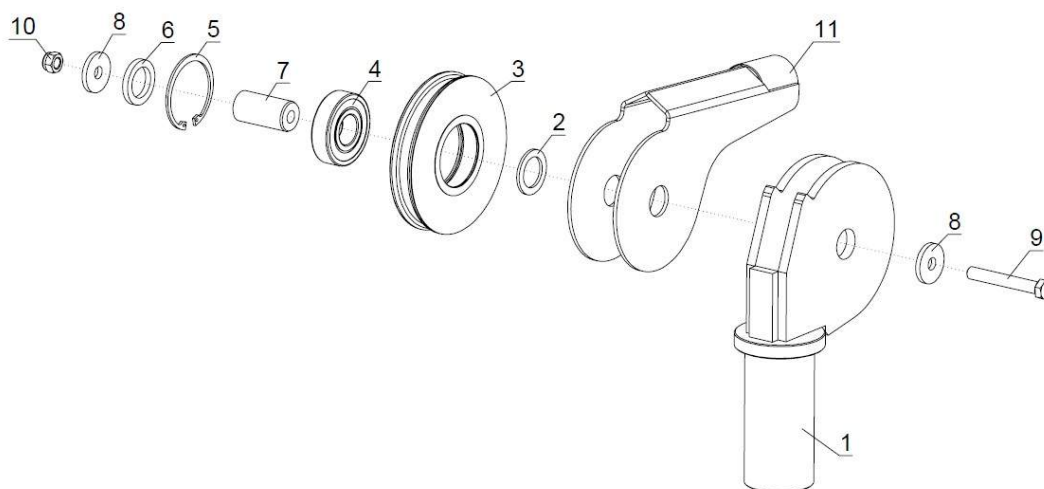
| 300018260 Avtomat | | | Automat | |
|-------------------|------------|------------|------------|------------|
| Poz. | Šifra/Code | Opis | DE | Machine |
| | | | | EN |
| 1 | 300018252 | Avtomat I | Automat I | Machine I |
| 2 | 200002530 | Kroglica | Kugel | Ball |
| 3 | 300006900 | Avtomat II | Automat II | Machine II |
| 4 | 300018207 | Sornik | Bolzen | Pin |
| 5 | 200002045 | Vzmet | Feder | Spring |
| 6 | 200000578 | Zatič | Stift | Pin |
| 7 | 200000512 | Matica | Mutter | Nut |

5. Boben / Trommel / Drum



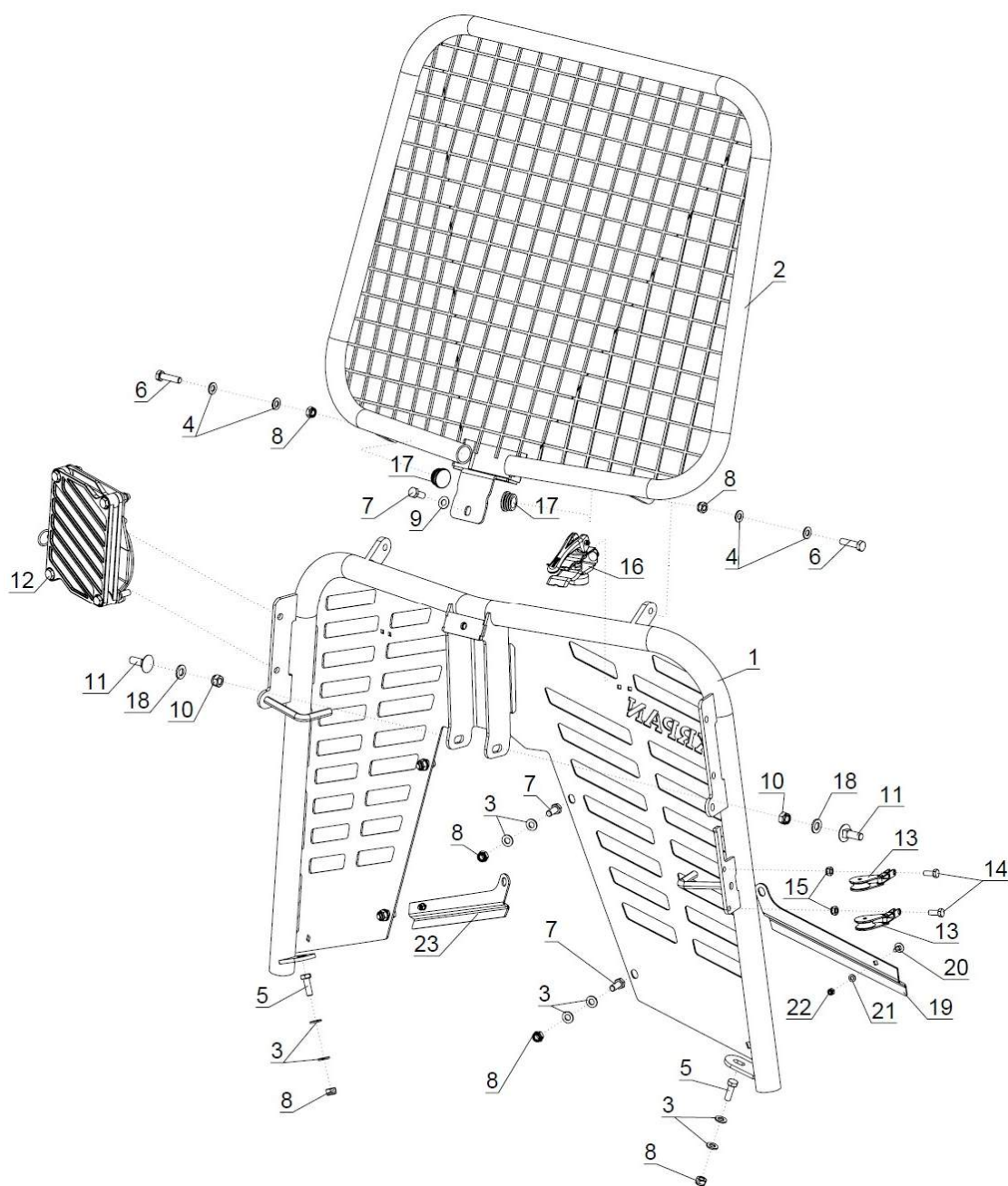
| 300019858 Boben | | | Trommel | Drum |
|-----------------|------------|-------|---------|---------|
| Poz. | Šifra/Code | Opis | DE | EN |
| 1 | 300019857 | Boben | Trommel | Drum |
| 2 | 200000010 | Ležaj | Lager | Bearing |

6. Zgornji škripec / Obere umlenkrolle / Upper winch pulley



| 300018274 Zgornji škripec | | | Obere umlenkrolle | Upper winch pulley |
|---------------------------|------------|--------------------|-------------------|--------------------|
| Poz. | Šifra/Code | Opis | DE | EN |
| 1 | 300018271 | Ohišje | Gehäuse | Housing |
| 2 | 300009671 | Podložka distančna | Distanzscheibe | Washer Spacer |
| 3 | 300009673 | Vrvenica | Seilrolle | Sheave |
| 4 | 200000010 | Ležaj | Lager | Bearing |
| 5 | 200000593 | Vskočnik | Sicherungsring | Circlip |
| 6 | 800006949 | Podložka distančna | Distanzscheibe | Washer Spacer |
| 7 | 300005914 | Puša | Büchse | Bushing |
| 8 | 300000291 | Podložka | Unterlegscheibe | Washer |
| 9 | 200000433 | Vijak | Schraube | Screw |
| 10 | 200000510 | Matica | Mutter | Nut |
| 11 | 300018273 | Vodilo | Führung | Guide |

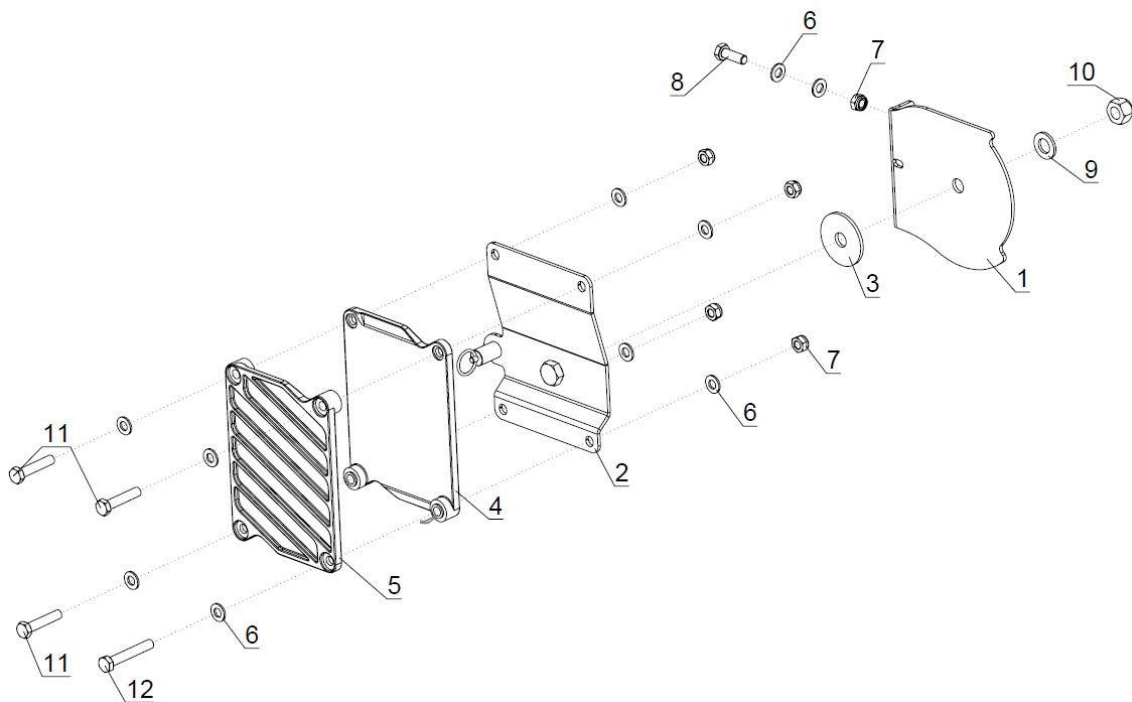
7. Zaščitna mreža / Schutzgitter / Safety Guard



| 300019833 Zaščitna mreža | | | Schutzgitter | Safety Guard |
|--------------------------|------------|------------------------|----------------------|-------------------|
| Poz. | Šifra/Code | Opis | DE | EN |
| 1 | 300019828 | Zaščitna mreža | Schutzgitter | Safety Guard |
| 2 | 300019832 | Zaščitna mreža | Schutzgitter | Safety Guard |
| 3 | 200000545 | Podložka | Unterlegscheibe | Washer |
| 4 | 200000544 | Podložka | Unterlegscheibe | Washer |
| 5 | 200000385 | Vijak | Schraube | Screw |
| 6 | 200000388 | Vijak | Schraube | Screw |
| 7 | 200000381 | Vijak | Schraube | Screw |
| 8 | 200000506 | Matica | Mutter | Nut |
| 9 | 200005434 | Podložka | Unterlegscheibe | Washer |
| 10 | 200000510 | Matica | Mutter | Nut |
| 11 | 200000416 | Vijak | Schraube | Screw |
| 12 | 300025274 | Nosilec motorne žage D | Motorsägehalterung R | Chainsaw Holder R |

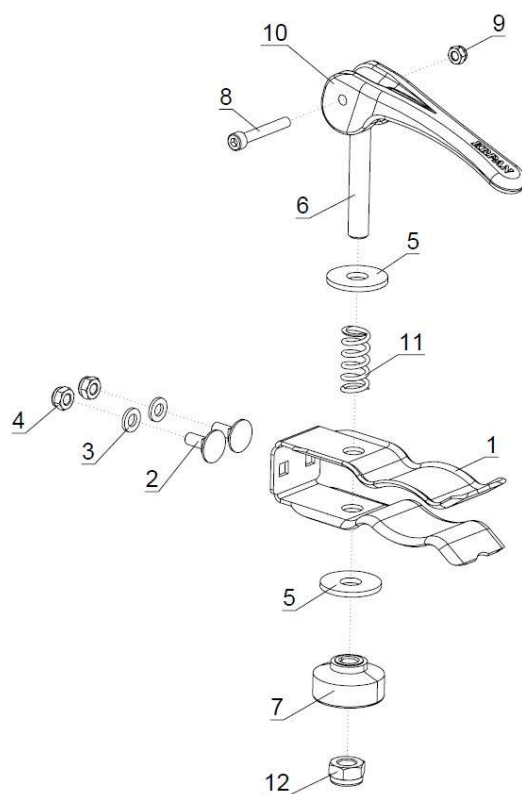
| | | | | |
|----|-----------|------------------|-----------------|-----------------|
| 13 | 200007408 | Škripec | Windenrolle | Winch pulley |
| 14 | 200000361 | Vijak | Schraube | Screw |
| 15 | 200000503 | Matica | Mutter | Nut |
| 16 | 300018181 | Nosilec kanistra | Kanisterhalter | Canister holder |
| 17 | 200009609 | Čep | Zapfen | Plug |
| 18 | 200000548 | Podložka | Unterlegscheibe | Washer |
| 19 | 300020649 | Pokrov L | Deckel L | Cover L |
| 20 | 200005135 | Vijak | Schraube | Screw |
| 21 | 200000536 | Podložka | Unterlegscheibe | Washer |
| 22 | 200000500 | Matica | Mutter | Nut |
| 23 | 300020647 | Pokrov D | Deckel R | Cover R |

7.1 Nosilec motorne žage D / Motorsägehalterung R / Chainsaw Holder R



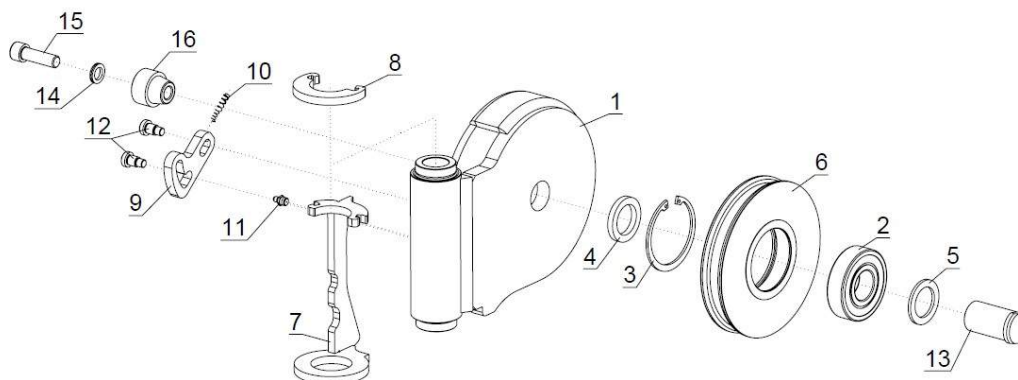
| 300025274 Nosilec motorne žage D | | | Motorsägehalterung R | Chainsaw Holder R |
|----------------------------------|------------|------------|----------------------|-------------------|
| Poz. | Šifra/Code | Opis | DE | EN |
| 1 | 300025265 | Nosilec D | Träger R | Holder R |
| 2 | 300025271 | Plošča D | Platte R | Plate R |
| 3 | 300017572 | Podložka | Unterlegscheibe | Washer |
| 4 | 200009837 | Nosilec I | Träger I | Holder I |
| 5 | 200009838 | Nosilec II | Träger II | Holder II |
| 6 | 200000545 | Podložka | Unterlegscheibe | Washer |
| 7 | 200000506 | Matica | Mutter | Nut |
| 8 | 200000385 | Vijak | Schraube | Screw |
| 9 | 200000555 | Podložka | Unterlegscheibe | Washer |
| 10 | 200004158 | Matica | Mutter | Nut |
| 11 | 200000392 | Vijak | Schraube | Screw |
| 12 | 200000399 | Vijak | Schraube | Screw |

7.2 Nosilec kanistra / Kanisterhalter / Canister holder



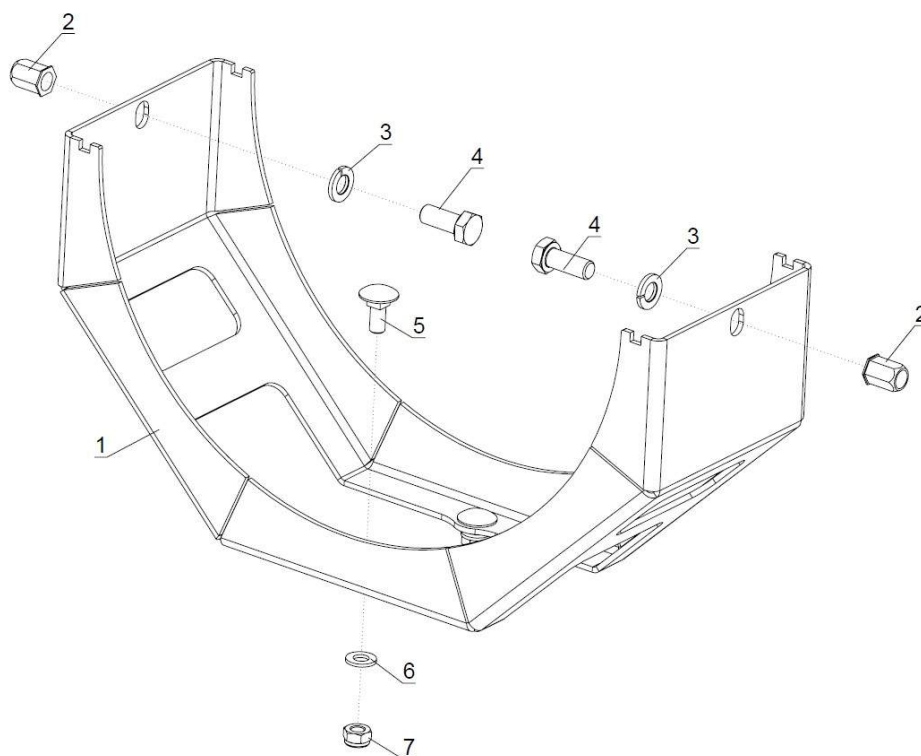
| 300018181 Nosilec kanistra | | | Kanisterhalter | Canister holder |
|----------------------------|------------|----------|-----------------|-----------------|
| Poz. | Šifra/Code | Opis | DE | EN |
| 1 | 300018178 | Nosilec | Träger | Holder |
| 2 | 200005135 | Vijak | Schraube | Screw |
| 3 | 200000536 | Podložka | Unterlegscheibe | Washer |
| 4 | 200000500 | Matica | Mutter | Nut |
| 5 | 200000546 | Podložka | Unterlegscheibe | Washer |
| 6 | 300017796 | Sornik | Bolzen | Pin |
| 7 | 200008539 | Matica | Mutter | Nut |
| 8 | 200000339 | Vijak | Schraube | Screw |
| 9 | 200000517 | Matica | Mutter | Nut |
| 10 | 200009834 | Ročica | Hebel | Lever |
| 11 | 200001311 | Vzmet | Feder | Spring |
| 12 | 200000506 | Matica | Mutter | Nut |

8. Spodnji škripec / Untere Umlenkrolle / Bottom winch pulley



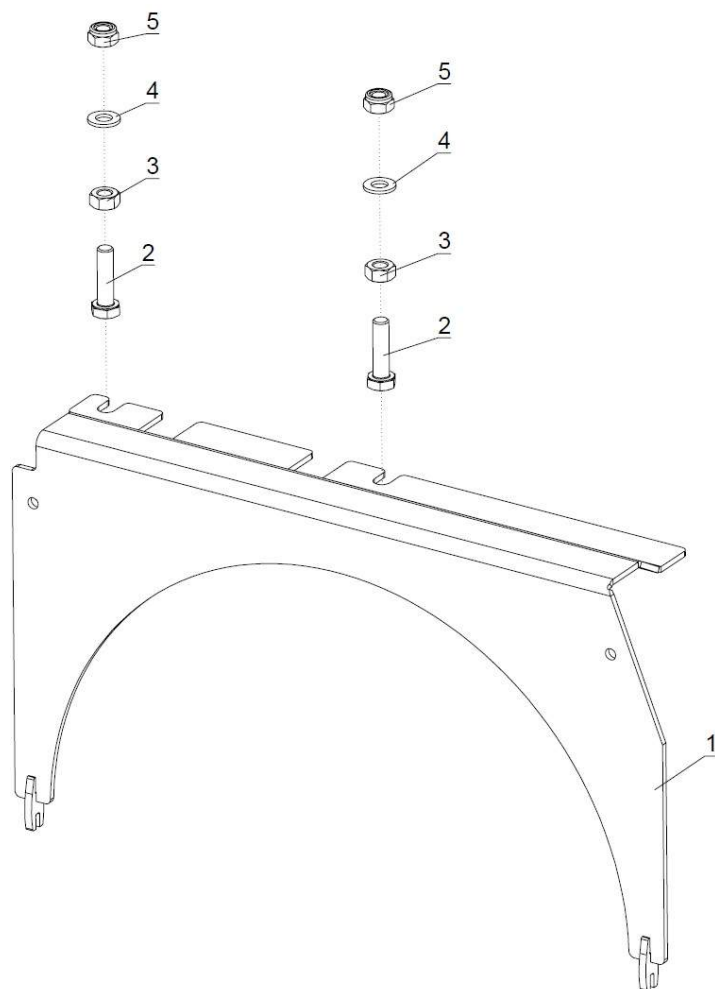
| 300017559 Spodnji škripec | | | Untere Umlenkrolle | Bottom winch pulley |
|---------------------------|------------|--------------------|--------------------|---------------------|
| Poz. | Šifra/Code | Opis | DE | EN |
| 1 | 300017558 | Ohišje | Gehäuse | Housing |
| 2 | 200000010 | Ležaj | Lager | Bearing |
| 3 | 200000593 | Vskočnik | Sicherungsring | Circlip |
| 4 | 800006949 | Podložka distančna | Distanzscheibe | Washer Spacer |
| 5 | 300009671 | Podložka distančna | Distanzscheibe | Washer Spacer |
| 6 | 300009673 | Vrvenica | Seilrolle | Sheave |
| 7 | 300017555 | Zapiralo | Sperre | Stop |
| 8 | 300017416 | Objemka | Klemme | Buckle |
| 9 | 300017451 | Zapiralo | Sperre | Stop |
| 10 | 200009810 | Vzmet | Feder | Spring |
| 11 | 200000602 | Mazalka | Schmiernippel | Lubrication Nipple |
| 12 | 200009269 | Vijak | Schraube | Screw |
| 13 | 300017489 | Sornik | Bolzen | Pin |
| 14 | 200003777 | Podložka | Unterlegscheibe | Washer |
| 15 | 200003164 | Vijak | Schraube | Screw |
| 16 | 300017488 | Puša | Büchse | Bushing |

9. Zaščita I / Schutz I / Protection I



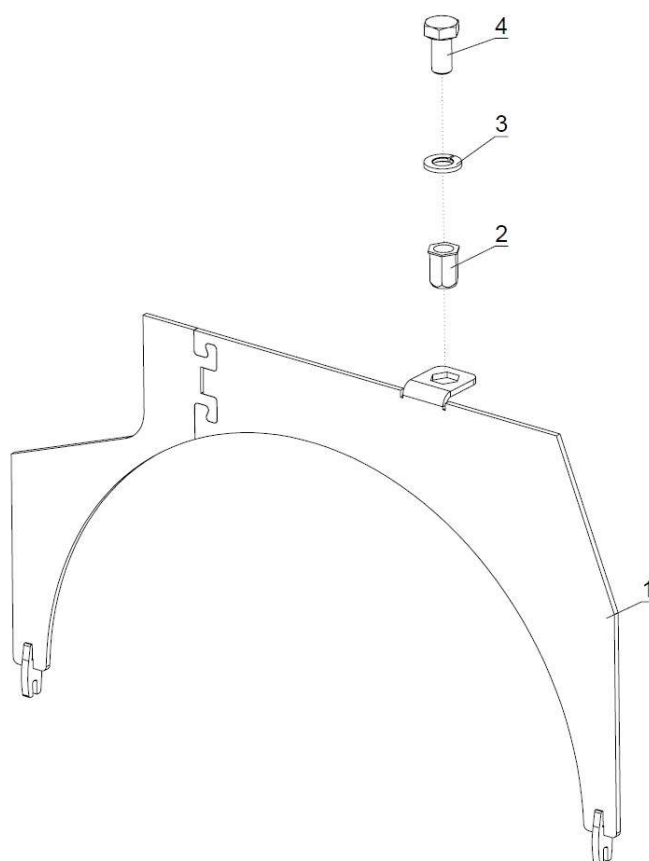
| 300020137 Zaščita I | | | Schutz I | Protection I |
|---------------------|------------|----------|-----------------|--------------|
| Poz. | Šifra/Code | Opis | DE | EN |
| 1 | 300019784 | Zaščita | Schutz | Protection |
| 2 | 200009102 | Matica | Mutter | Nut |
| 3 | 200000547 | Podložka | Unterlegscheibe | Washer |
| 4 | 200000381 | Vijak | Schraube | Screw |
| 5 | 200004236 | Vijak | Schraube | Screw |
| 6 | 200000540 | Podložka | Unterlegscheibe | Washer |
| 7 | 200000503 | Matica | Mutter | Nut |

10.Zaščita II / Schutz II / Protection II



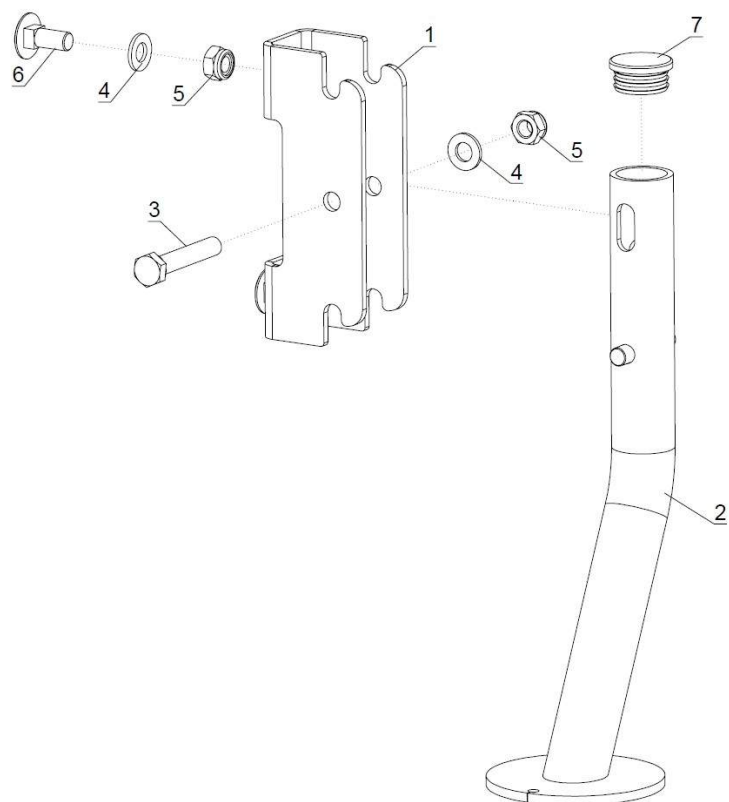
| 300020135 Zaščita II | | | Schutz II | | Protection II | |
|----------------------|------------|----------|-----------------|--|---------------|--|
| Poz. | Šifra/Code | Opis | DE | | EN | |
| 1 | 300019791 | Zaščita | Schutz | | Protection | |
| 2 | 200000791 | Vijak | Schraube | | Screw | |
| 3 | 200000502 | Matica | Mutter | | Nut | |
| 4 | 200000540 | Podložka | Unterlegscheibe | | Washer | |
| 5 | 200000503 | Matica | Mutter | | Nut | |

11. Zaščita III / Schutz III / Protection III



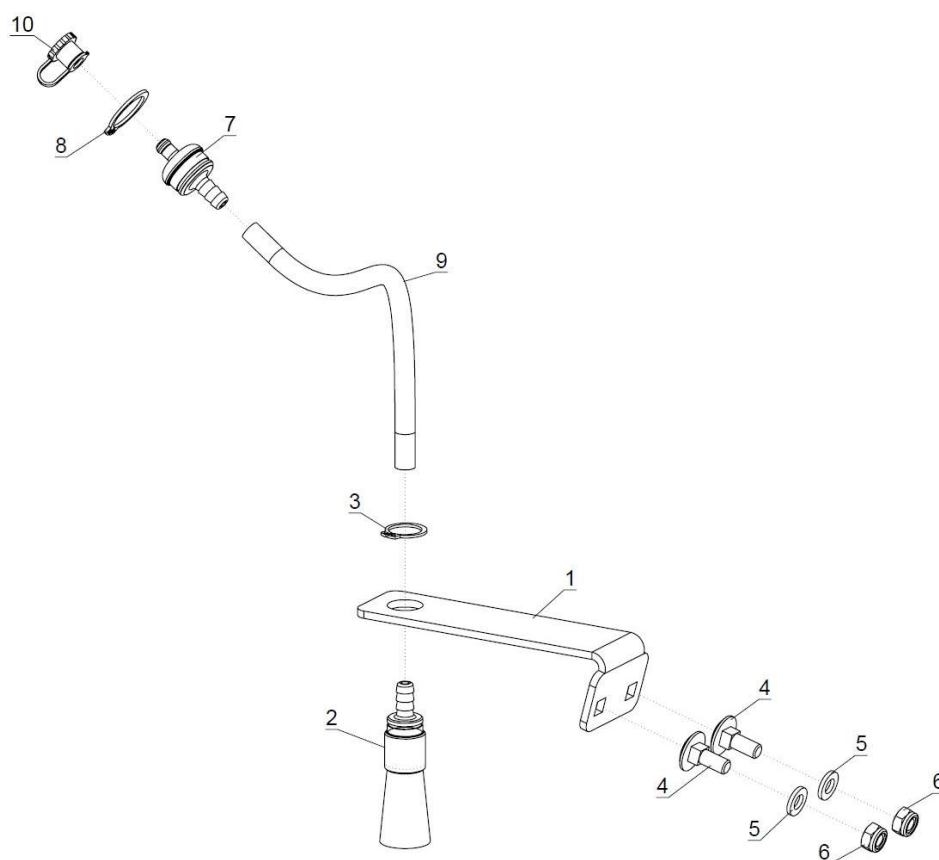
| 300020136 Zaščita III | | | Schutz III | Protection III |
|-----------------------|------------|----------|-----------------|----------------|
| Poz. | Šifra/Code | Opis | DE | EN |
| 1 | 300019789 | Zaščita | Schutz | Protection |
| 2 | 200009102 | Matica | Mutter | Nut |
| 3 | 200000547 | Podložka | Unterlegscheibe | Washer |
| 4 | 200000380 | Vijak | Schraube | Screw |

12. Podporna noga / Stützfuß / Support Leg



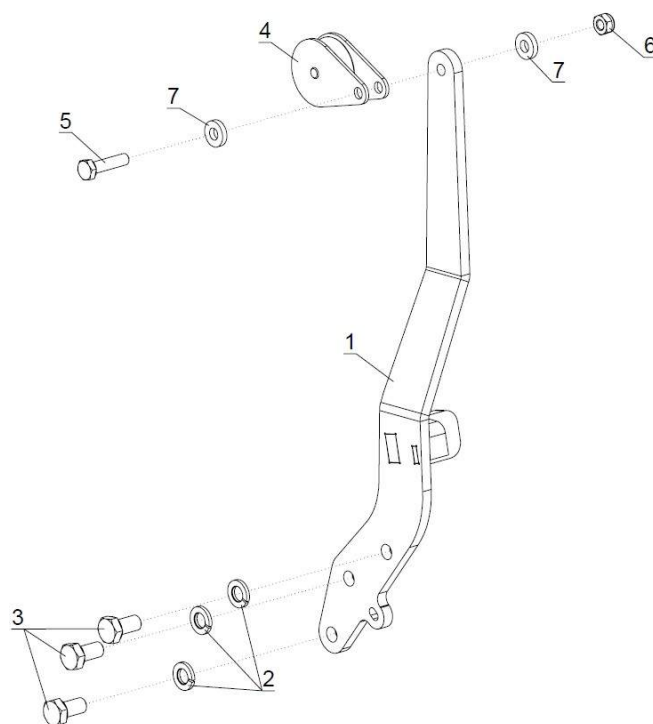
| 300019779 Podporna noga | | | Stützfuß | Support Leg |
|-------------------------|------------|---------------|-----------------|-------------|
| Poz. | Šifra/Code | Opis | DE | EN |
| 1 | 300019775 | Nosilec | Träger | Holder |
| 2 | 300019778 | Podporna noga | Stützfuß | Support Leg |
| 3 | 200000398 | Vijak | Schraube | Screw |
| 4 | 200000545 | Podložka | Unterlegscheibe | Washer |
| 5 | 200000506 | Matica | Mutter | Nut |
| 6 | 200000454 | Vijak | Schraube | Screw |
| 7 | 200009609 | Čep | Zapfen | Plug |

13. Mazalni sistem / Schmiersystem / Lubrication system



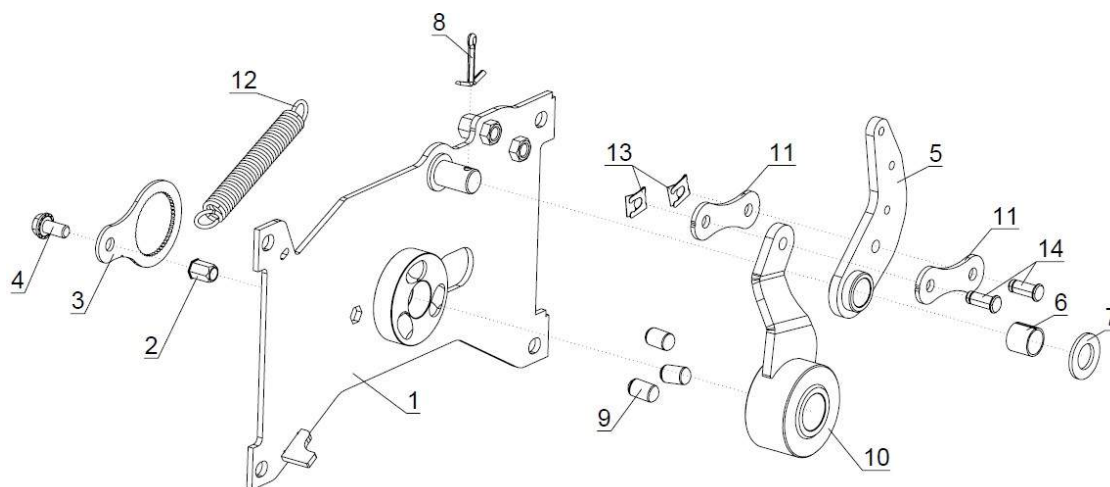
| 300019763 Mazalni sistem | | | Schmiersystem | Lubrication system |
|--------------------------|------------|----------------|------------------|--------------------|
| Poz. | Šifra/Code | Opis | DE | EN |
| 1 | 300019762 | Nosilec | Träger | Holder |
| 2 | 200008960 | Mazalna ščetka | Schmierbürste | Lubrication brush |
| 3 | 200006431 | Vskočnik | Sicherungsring | Circlip |
| 4 | 200005135 | Vijak | Schraube | Screw |
| 5 | 200000536 | Podložka | Unterlegscheibe | Washer |
| 6 | 200000500 | Matica | Mutter | Nut |
| 7 | 300017493 | Sedež mazanja | Schmiersitz | Lubrication seat |
| 8 | 200005581 | Vskočnik | Sicherungsring | Circlip |
| 9 | | Mazalna cevka | Lubrication tube | Schmierschlauch |
| 10 | 200009780 | Pokrov | Deckel | Cover |

14. Vzvod sklopke / Kupplungshebel / Clutch lever



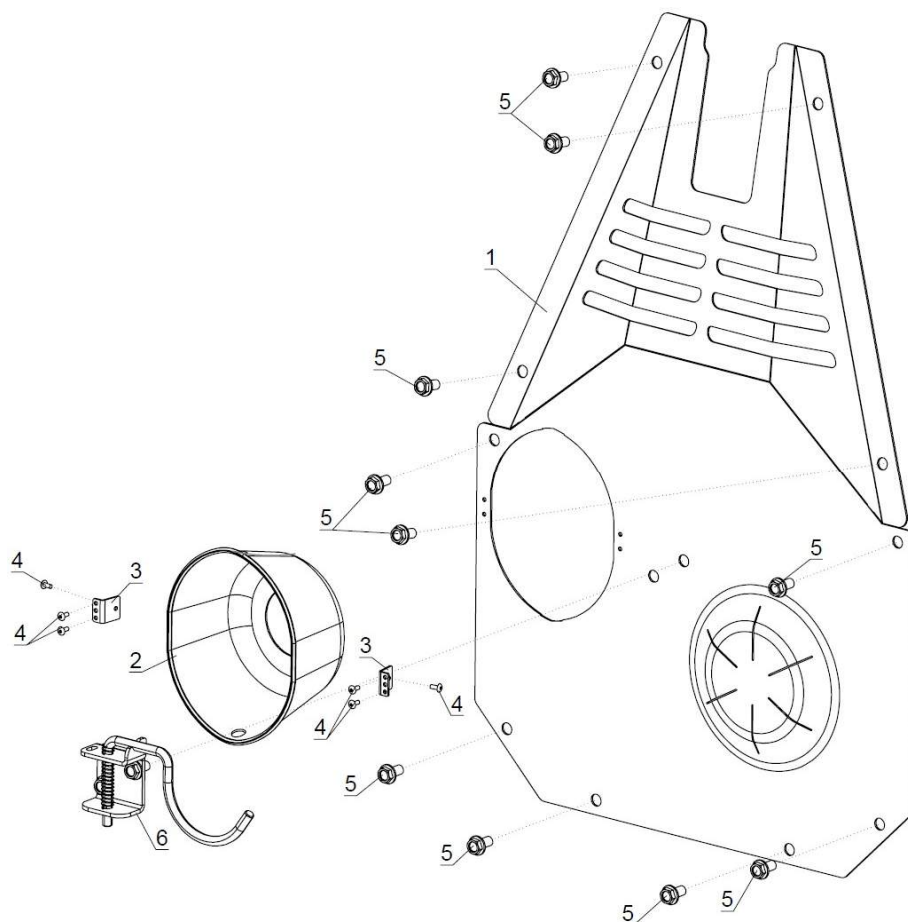
| 300019928 Vzvod sklopke | | | Kupplungshebel | Clutch lever |
|-------------------------|------------|----------|-----------------|--------------|
| Poz. | Šifra/Code | Opis | DE | EN |
| 1 | 300019927 | Vzvod | Hebel | Lever |
| 2 | 200000539 | Podložka | Unterlegscheibe | Washer |
| 3 | 200000360 | Vijak | Schraube | Screw |
| 4 | 200009815 | Škripec | Windenrolle | Winch pulley |
| 5 | 200003600 | Vijak | Schraube | Screw |
| 6 | 200000500 | Matica | Mutter | Nut |
| 7 | 300019551 | Podložka | Unterlegscheibe | Washer |

15. Vzvodovje sklopke / Kupplungsmechanismus / Clutch mechanism



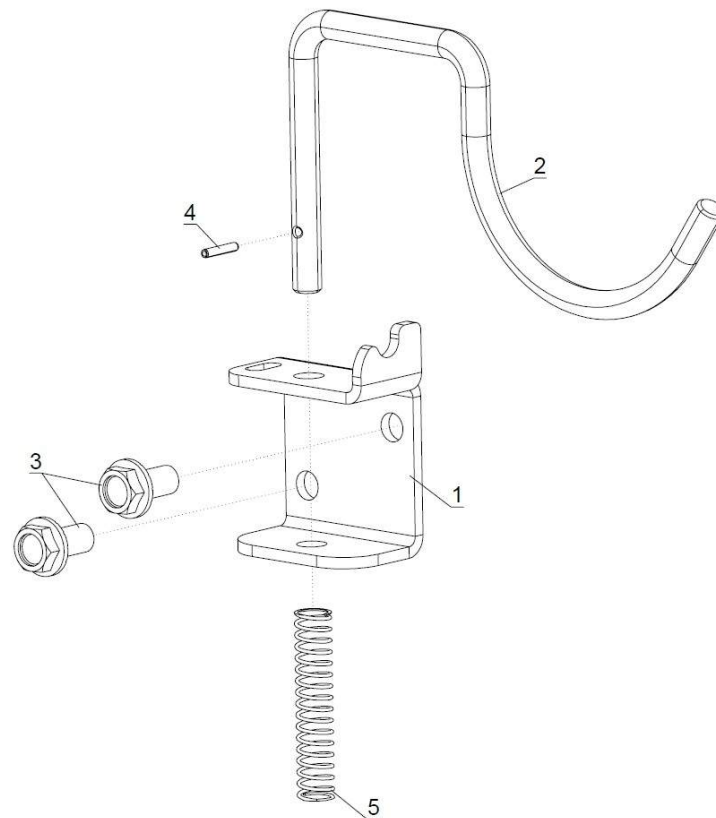
| 300019840 Vzvodovje sklopke | | | Kupplungsmechanismus | Clutch mechanism |
|-----------------------------|------------|----------|----------------------|------------------|
| Poz. | Šifra/Code | Opis | DE | EN |
| 1 | 300019850 | Ploščca | Platte | Plate |
| 2 | 200009102 | Matica | Mutter | Nut |
| 3 | 300019753 | Varovalo | Sicherung | Protection |
| 4 | 200009040 | Vijak | Schraube | Screw |
| 5 | 300019816 | Vzvod | Hebel | Lever |
| 6 | 200010077 | Puša | Büchse | Bushing |
| 7 | 200000559 | Podložka | Unterlegscheibe | Washer |
| 8 | 200002575 | Razcepka | Splinte | Cotter Pin |
| 9 | 300018203 | Čep | Zapfen | Plug |
| 10 | 300019815 | Vzvod | Hebel | Lever |
| 11 | 300019751 | Povezava | Verbindung | Connection |
| 12 | 200000080 | Vzmet | Feder | Spring |
| 13 | 200008334 | Varovalo | Sicherung | Protection |
| 14 | 200008333 | Sornik | Bolzen | Pin |

16. Sprednja zaščita / Frontschutz / Front guard



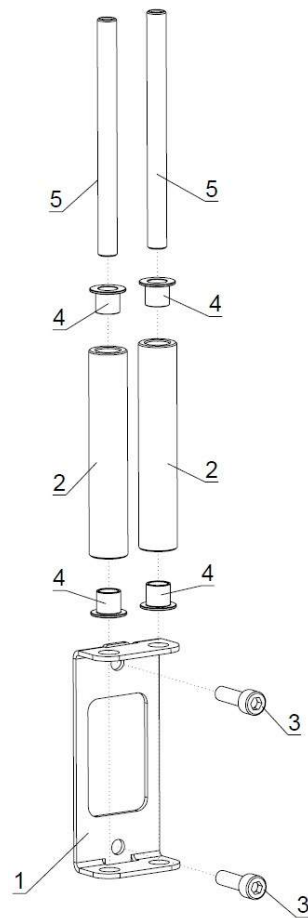
| 300019767 Sprednja zaščita | | | Frontschutz | Front guard |
|----------------------------|------------|-----------------|--------------|------------------|
| Poz. | Šifra/Code | Opis | DE | EN |
| 1 | 300019766 | Zaščita | Schutz | Protection |
| 2 | 200000608 | Zaščita | Schutz | Protection |
| 3 | 300019764 | Nosilec | Träger | Holder |
| 4 | 200000570 | Kovica | Niet | Rivet |
| 5 | 200009040 | Vijak | Schraube | Screw |
| 6 | 300024899 | Nosilec kardana | Kardanhalter | PTO shaft holder |

16.1 Nosilec kardana / Kardanhalter / PTO shaft holder



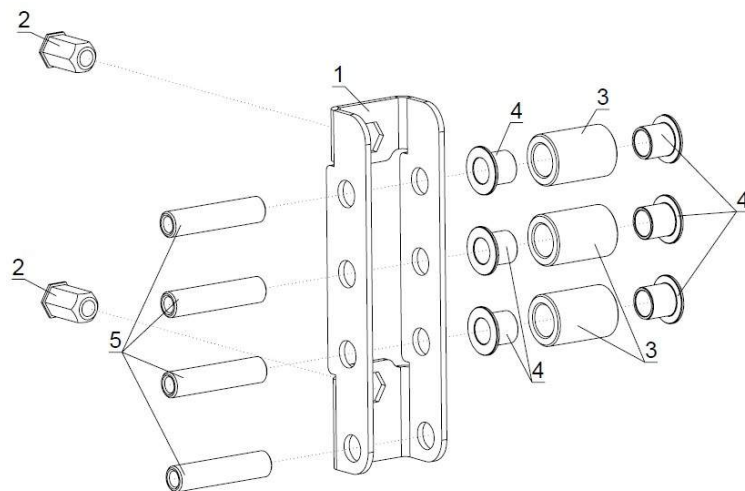
| 300024899 Nosilec kardana | | | Kardanhalter | PTO shaft holder |
|---------------------------|------------|---------|--------------|------------------|
| Poz. | Šifra/Code | Opis | DE | EN |
| 1 | 300024894 | Nosilec | Träger | Holder |
| 2 | 300024897 | Nosilec | Träger | Holder |
| 3 | 200009040 | Vijak | Schraube | Screw |
| 4 | 200000576 | Zatič | Stift | Pin |
| 5 | 200009811 | Vzmet | Feder | Spring |

17. Škripec I / Windenrolle I / Winch pulley I



| 300018265 Škripec I | | | Windenrolle I | Winch pulley I |
|---------------------|------------|---------|---------------|----------------|
| Poz. | Šifra/Code | Opis | DE | EN |
| 1 | 300019835 | Ohišje | Gehäuse | Housing |
| 2 | 300019839 | Valjček | Walzen | Roller |
| 3 | 200002641 | Vijak | Schraube | Screw |
| 4 | 200010132 | Puša | Büchse | Bushing |
| 5 | 300019838 | Os | Achse | Axle |

18.Škripec II / Windenrolle II / Winch pulley II



| 300019834 Škripec II | | | Windenrolle II | Winch pulley II |
|----------------------|------------|---------|----------------|-----------------|
| Poz. | Šifra/Code | Opis | DE | EN |
| 1 | 300019756 | Ohišje | Gehäuse | Housing |
| 2 | 200009098 | Matica | Mutter | Nut |
| 3 | 300019836 | Valjček | Walzen | Roller |
| 4 | 200010132 | Puša | Büchse | Bushing |
| 5 | 300019837 | Os | Achse | Axle |